

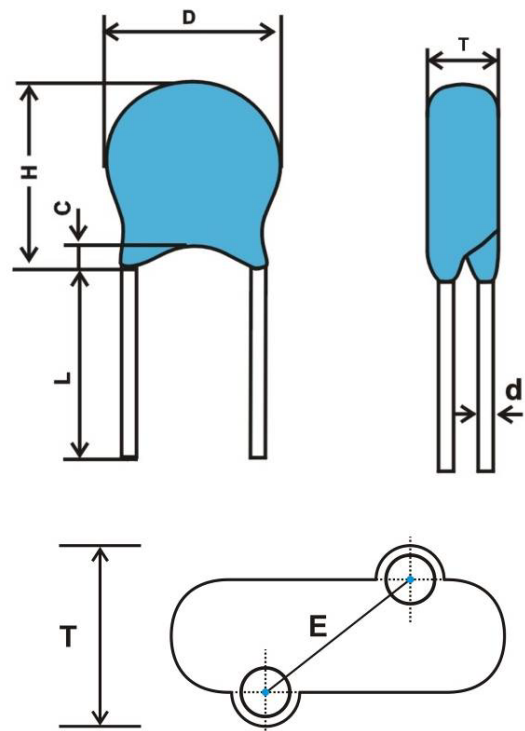
# METAL OXIDE VARISTOR – JVX

## FEATURES

- Operating Temperature Range: -40°C~+105°C.
- Body Diameters Range From 5D to 20D.
- Wide Operating Voltage from 18V to 1800V.
- Full compliance with RoHS and REACH.

## Thickness (max.)

Part Code	D05	D07	D10	D14	D20
162K	--	--	--	9.5	10.5
152K	--	--	--	9.5	10.0
142K				9.0	9.5
122K				8.0	9.0
112K	--	--	8.0	8.0	8.5
102K	--	--	7.5	7.5	8.5
911K	--	--	7.0	7.0	8.0
821K	--	--	6.5	6.5	7.5
781K	--	--	6.5	6.5	7.5
751K	--	6.0	6.5	6.5	7.5
681K	5.5	5.5	6.0	6.0	7.0
621K	5.5	5.5	6.0	6.0	7.0
561K	5.0	5.0	5.5	5.5	6.5
511K	5.0	5.0	5.5	5.5	6.5
471K	5.0	5.0	5.5	5.5	6.0
431K	4.5	4.5	5.0	5.0	6.0
391K	4.5	4.5	5.0	5.0	6.0
361K	4.5	4.5	5.0	5.0	6.0
331K	4.5	4.5	5.0	5.0	5.5
301K	4.0	4.0	4.5	4.5	5.5
271K	4.0	4.0	4.5	4.5	5.5
241K	4.0	4.0	4.5	4.5	5.5
221K	4.0	4.0	4.5	4.5	5.0
201K	4.0	4.0	4.5	4.5	5.0
181K	4.5	4.5	5.0	5.0	5.5
151K	4.5	4.5	5.0	5.0	5.5
121K	4.5	4.5	5.0	5.0	5.5
101K	4.5	4.5	5.0	5.0	5.5
820K	4.5	4.5	5.0	5.0	5.0
680K	5.0	5.0	5.5	5.5	6.0
560K	4.5	4.5	5.0	5.0	5.5
470K	4.5	4.5	5.0	5.0	5.5
390K	4.5	4.5	5.0	5.0	5.5
330K	4.5	4.5	5.0	5.0	5.5
270K	4.5	4.5	5.0	5.0	5.5
220K	4.5	4.5	4.5	4.5	5.0
180K	4.0	4.5	4.5	4.5	5.0



L: 16mm min

SIZE	D MAX	H MAX	d+/-0.05	E	c max
D05	8	11	0.5	5±0.8	2.5
D07	10	12.5	0.5	5±0.8	2.5
D10	13.5	16	0.7	7.5±0.8	2.5
D14	17.5	20	0.7	7.5±0.8	2.5
D20	24	26.5	1.0	10±1.0	2.5

Please visit our website to get more update data, those data & specification are subject to change without notice.

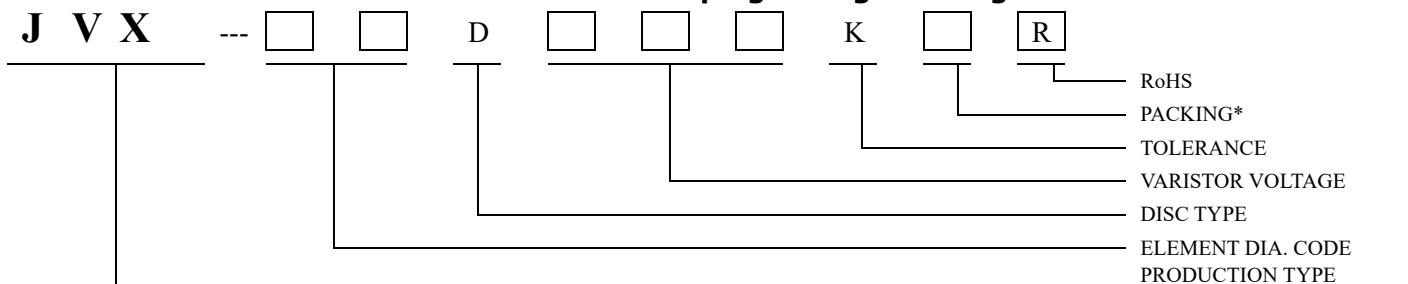
# METAL OXIDE VARISTOR – J VX

## METAL OXIDE VARISTOR 5D Series

### SPECIFICATION

Part No	Maximum allowable Voltage		Maximum Energy (10/1000µs) (J)	Maximum Peak Current (8/20µs)	Rated Power (W)	Varistor Voltage V <sub>1.0mA</sub> (V)	Clamping Voltage (Max.)		Typical Capacitance (reference) @1KHz (pF)
	AC rms (V)	DC rms (V)					VC (V)	Ip (A)	
JVX05D681K	420	560	19.4	400 / 200x2	0.1	680(612-748)	1120	5	38
JVX05D621K	385	505	17.7			620(558-682)	1025		40
JVX05D561K	350	460	16.8			560(504-616)	920		45
JVX05D511K	320	415	16.0			510(459-561)	845		50
JVX05D471K	300	385	15.0			470(423-517)	810		55
JVX05D431K	275	350	13.0			430(387-473)	745		60
JVX05D391K	250	320	12.0			390(351-429)	675		65
JVX05D361K	230	300	10.0			360(324-396)	620		70
JVX05D331K	210	275	9.5			330(297-363)	570		75
JVX05D301K	190	250	9.0			300(270-330)	520		85
JVX05D271K	175	225	8.5			270(243-297)	475		95
JVX05D241K	150	200	8.0			240(216-264)	415		100
JVX05D221K	140	180	7.0			220(198-242)	380		110
JVX05D201K	130	170	6.5			200(180-220)	355		125
JVX05D181K	115	150	5.9			180(162-198)	320		140
JVX05D151K	95	125	4.8			150(135-165)	260		165
JVX05D121K	75	100	4.0			120(108-132)	210		210
JVX05D101K	60	85	3.0			100(90-110)	175		250
JVX05D820K	50	65	2.5			82(73.8-90.2)	150		300
JVX05D680K	40	56	1.6			68(61.2-74.8)	145		370
JVX05D560K	35	45	1.3	56(50.4-61.6)	123	450			
JVX05D470K	30	38	1.1	47(42.3-51.7)	104	530			
JVX05D390K	25	31	0.9	39(35.1-42.9)	80	640			
JVX05D330K	20	26	0.8	33(29.7-36.3)	73	760			
JVX05D270K	17	22	0.6	27(24.3-29.7)	60	930			
JVX05D220K	14	18	0.5	22(19.8-24.2)	48	1150			
JVX05D180K	11	14	0.4	18(16.2-19.8)	40	1400			

### #680K–180K Max. Clamping Voltage Testing Current 1A.



\*B for Bulk ; A for Ammo ; T for Tape & Reel

Please visit our website to get more update data, those data & specification are subject to change without notice.

# METAL OXIDE VARISTOR – JVX

## METAL OXIDE VARISTOR 7D Series

### SPECIFICATION

Part No	Maximum allowable Voltage		Maximum Energy (10/1000µs) ) (J)	Maximum Peak Current (8/20µs)	Rated Power  (W)	Varistor Voltage  V <sub>1.0mA</sub> (V)	Clamping Voltage (Max.)		Typical Capacitance (reference)  @1KHz (pF)
	AC rms (V)	DC rms (V)					VC (V)	Ip (A)	
JVX07D911K	550	745	57.0	1200 / 600x2	0.25	910(819-1001)	1500	10	55
JVX07D821K	510	670	52.0			820(738-902)	1355		60
JVX07D781K	485	640	48.0			780(702-858)	1290		65
JVX07D751K	460	615	45.0			750(675-825)	1240		70
JVX07D681K	420	560	42.0			680(612-748)	1120		75
JVX07D621K	385	505	38.0			620(558-682)	1025		80
JVX07D561K	350	460	35.0			560(504-616)	925		90
JVX07D511K	320	415	31.0			510(459-561)	845		100
JVX07D471K	300	385	29.0			470(423-517)	775		105
JVX07D431K	275	350	28.0			430(387-473)	710		115
JVX07D391K	250	320	26.0			390(351-429)	650		130
JVX07D361K	230	300	24.0			360(324-396)	595		140
JVX07D331K	210	275	23.0			330(297-363)	550		150
JVX07D301K	190	250	20.0			300(270-330)	500		165
JVX07D271K	175	225	18.0			270(243-297)	455		185
JVX07D241K	150	200	15.0			240(216-264)	395		210
JVX07D221K	140	180	14.0			220(198-242)	360		230
JVX07D201K	130	170	13.0			200(180-220)	340		250
JVX07D181K	115	150	11.7			180(162-198)	300		280
JVX07D151K	95	125	9.7			150(135-165)	250		330
JVX07D121K	75	100	7.8	120(108-132)	200	420			
JVX07D101K	60	85	6.5	100(90-110)	165	500			
JVX07D820K	50	65	5.5	82(73.8-90.2)	135	600			
JVX07D680K	40	56	3.6	250 / 125x2	0.02	68(61.2-74.8)	135	2.5	740
JVX07D560K	35	45	3.1			56(50.4-61.6)	110		890
JVX07D470K	30	38	2.5			47(42.3-51.7)	93		1100
JVX07D390K	25	31	2.1			39(35.1-42.9)	77		1300
JVX07D330K	20	26	1.7			33(29.7-36.3)	65		1500
JVX07D270K	17	22	1.4			27(24.3-29.7)	53		1800
JVX07D220K	14	18	1.1			22(19.8-24.2)	43		2300
JVX07D180K	11	14	0.9			18(16.2-19.8)	36		2800

**#680K—180K Max. Clamping Voltage Testing Current 2.5A.**

Please visit our website to get more update data, those data & specification are subject to change without notice.

# METAL OXIDE VARISTOR – JVX

## METAL OXIDE VARISTOR 10D Series

### SPECIFICATION

Part No	Maximum allowable Voltage		Maximum Energy (10/1000µs) (J)	Maximum Peak Current (8/20µs)	Rated Power (W)	Varistor Voltage  V <sub>1.0mA</sub> (V)	Clamping Voltage (Max.)		Typical Capacitance (reference)  @1KHz (pF)
	AC rms (V)	DC rms (V)					V <sub>c</sub> (V)	I <sub>p</sub> (A)	
JVX10D112K	680	895	115.0	2500 / 1250x2	0.4	1100(990-1210)	1815	25	90
JVX10D102K	625	825	102.0			1000(900-1100)	1650		100
JVX10D911K	550	745	93.0			910(819-1001)	1500		110
JVX10D821K	510	670	85.0			820(738-902)	1355		120
JVX10D781K	485	640	80.0			780(702-858)	1290		125
JVX10D751K	460	615	77.0			750(675-825)	1240		130
JVX10D681K	420	560	75.0			680(612-748)	1120		150
JVX10D621K	385	505	72.0			620(558-682)	1025		160
JVX10D561K	350	460	70.0			560(504-616)	925		180
JVX10D511K	320	415	69.0			510(459-561)	845		200
JVX10D471K	300	385	67.0			470(423-517)	775		210
JVX10D431K	275	350	65.0			430(387-473)	710		230
JVX10D391K	250	320	60.0			390(351-429)	650		260
JVX10D361K	230	300	47.0			360(324-396)	595		280
JVX10D331K	210	275	43.0			330(297-363)	550		300
JVX10D301K	190	250	40.0			300(270-330)	500		330
JVX10D271K	175	225	37.0			270(243-297)	455		370
JVX10D241K	150	200	35.0			240(216-264)	395		420
JVX10D221K	140	180	32.0			220(198-242)	360		450
JVX10D201K	130	170	30.0			200(180-220)	340		500
JVX10D181K	115	150	27.0	180(162-198)	300	560			
JVX10D151K	95	125	22.0	150(135-165)	250	670			
JVX10D121K	75	100	18.0	120(108-132)	200	830			
JVX10D101K	60	85	15.0	100(90-110)	165	1000			
JVX10D820K	50	65	12.0	82(73.8-90.2)	135	1200			
JVX10D680K	40	56	8.2	500 / 250x2	0.05	68(61.2-74.8)	135	5	1500
JVX10D560K	35	45	7.0			56(50.4-61.6)	110		1800
JVX10D470K	30	38	5.5			47(42.3-51.7)	93		2100
JVX10D390K	25	31	4.6			39(35.1-42.9)	77		2400
JVX10D330K	20	26	4.0			33(29.7-36.3)	65		3000
JVX10D270K	17	22	3.0			27(24.3-29.7)	53		3700
JVX10D220K	14	18	2.5			22(19.8-24.2)	43		4500
JVX10D180K	11	14	2.1			18(16.2-19.8)	36		5600

**#680K—180K Max. Clamping Voltage Testing Current 5A.**

Please visit our website to get more update data, those data & specification are subject to change without notice.

# METAL OXIDE VARISTOR – JVX

## METAL OXIDE VARISTOR 14D Series

### SPECIFICATION

Part No	Maximum allowable Voltage		Maximum Energy (10/1000µs) (J)	Maximum Peak Current (8/20µs)	Rated Power (W)	Varistor Voltage		Clamping Voltage (Max.)		Typical Capacitance (reference)  @1KHz (pF)
	AC rms (V)	DC rms (V)				V <sub>1.0mA</sub> (V)	V <sub>c</sub> (V)	I <sub>p</sub> (A)		
JVX14D162K	1000	1280	243	4500 / 2500x2	0.6	1600(1440-1760)	2640	50	140	
JVX14D152K	930	1200	240			1500(1350-1650)	2475		145	
JVX14D142K	880	1140	238			1400(1260-1540)	2310		150	
JVX14D122K	750	990	232			1200(1080-1320)	1980		160	
JVX14D112K	680	895	213			1100(990-1210)	1815		180	
JVX14D102K	625	825	190			1000(900-1100)	1650		200	
JVX14D911K	550	745	175			910(819-1001)	1500		220	
JVX14D821K	510	670	157			820(738-902)	1355		240	
JVX14D781K	485	640	148			780(702-858)	1290		260	
JVX14D751K	460	615	143			750(675-825)	1240		270	
JVX14D681K	420	560	130			680(612-748)	1120		290	
JVX14D621K	385	505	128			620(558-682)	1025		320	
JVX14D561K	350	460	125			560(504-616)	925		360	
JVX14D511K	320	415	121			510(459-561)	845		390	
JVX14D471K	300	385	118			470(423-517)	775		430	
JVX14D431K	275	350	115			430(387-473)	710		460	
JVX14D391K	250	320	100			390(351-429)	650		510	
JVX14D361K	230	300	93.0			360(324-396)	595		560	
JVX14D331K	210	275	85.0			330(297-363)	550		610	
JVX14D301K	190	250	77.0			300(270-330)	500		670	
JVX14D271K	175	225	70.0			270(243-297)	455		740	
JVX14D241K	150	200	63.0			240(216-264)	395		830	
JVX14D221K	140	180	60.0			220(198-242)	360		900	
JVX14D201K	130	170	57.0			200(180-220)	340		1000	
JVX14D181K	115	150	50.0			180(162-198)	300		1100	
JVX14D151K	95	125	40.0			150(135-165)	250		1300	
JVX14D121K	75	100	32.0			120(108-132)	200		1700	
JVX14D101K	60	85	28.0			100(90-110)	165		2000	
JVX14D820K	50	65	22.0			82(73.8-90.2)	135		2400	
JVX14D680K	40	56	14.0			68(61.2-74.8)	135		2900	
JVX14D560K	35	45	11.0	56(50.4-61.6)	110	3600				
JVX14D470K	30	38	10.0	47(42.3-51.7)	93	4300				
JVX14D390K	25	31	8.6	39(35.1-42.9)	77	5100				
JVX14D330K	20	26	7.5	33(29.7-36.3)	65	6100				
JVX14D270K	17	22	6.0	27(24.3-29.7)	53	7400				
JVX14D220K	14	18	5.0	22(19.8-24.2)	43	9100				
JVX14D180K	11	14	4.0	18(16.2-19.8)	36	11100				

#680K–180K Max. Clamping Voltage Testing Current 10A.

Please visit our website to get more update data, those data & specification are subject to change without notice.

# METAL OXIDE VARISTOR – J VX

## METAL OXIDE VARISTOR 20D Series

### SPECIFICATION

Part No	Maximum allowable Voltage		Maximum Energy (10/1000µs) (J)	Maximum Peak Current (8/20µs)	Rated Power  (W)	Varistor Voltage		Clamping Voltage (Max.)		Typical Capacitance (reference)  @1KHz (pF)
	AC rms (V)	DC rms (V)				V <sub>1.0mA</sub> (V)	V <sub>c</sub> (V)	I <sub>p</sub> (A)		
JVX20D162K	1000	1280	606	6500 / 4500x2	1.0	1600(1440-1760)	2640	100	330	
JVX20D152K	930	1200	569			1500(1350-1650)	2475		335	
JVX20D142K	880	1140	532			1400(1260-1540)	2310		340	
JVX20D122K	750	990	408			1200(1080-1320)	1980		350	
JVX20D112K	680	895	383			1100(990-1210)	1815		360	
JVX20D102K	625	825	342			1000(900-1100)	1650		400	
JVX20D911K	550	745	310			910(819-1001)	1500		440	
JVX20D821K	510	670	282			820(738-902)	1355		500	
JVX20D781K	485	640	265			780(702-858)	1290		510	
JVX20D751K	460	615	255			750(675-825)	1240		530	
JVX20D681K	420	560	230			680(612-748)	1120		600	
JVX20D621K	385	505	224			620(558-682)	1025		650	
JVX20D561K	350	460	215			560(504-616)	925		710	
JVX20D511K	320	415	210			510(459-561)	845		780	
JVX20D471K	300	385	204			470(423-517)	775		850	
JVX20D431K	275	350	190			430(387-473)	710		930	
JVX20D391K	250	320	180			390(351-429)	650		1000	
JVX20D361K	230	300	163			360(324-396)	595		1100	
JVX20D331K	210	275	150			330(297-363)	550		1200	
JVX20D301K	190	250	136			300(270-330)	500		1300	
JVX20D271K	175	225	127			270(243-297)	455		1500	
JVX20D241K	150	200	108			240(216-264)	395		1650	
JVX20D221K	140	180	100			220(198-242)	360		1800	
JVX20D201K	130	170	95			200(180-220)	340		2000	
JVX20D181K	115	150	85			180(162-198)	300		2200	
JVX20D151K	95	125	70			150(135-165)	250		2700	
JVX20D121K	75	100	55			120(108-132)	200		3300	
JVX20D101K	60	85	50			100(90-110)	165		4000	
JVX20D820K	50	65	45			82(73.8-90.2)	135		4900	
JVX20D680K	40	56	41			68(61.2-74.8)	135		5800	
JVX20D560K	35	45	38			56(50.4-61.6)	110		6500	
JVX20D470K	30	38	30			47(42.3-51.7)	93		7400	
JVX20D390K	25	31	26			39(35.1-42.9)	77		8500	
JVX20D330K	20	26	23	33(29.7-36.3)	65	11500				
JVX20D270K	17	22	16	27(24.3-29.7)	53	13000				
JVX20D220K	14	18	14	22(19.8-24.2)	43	18500				
JVX20D180K	11	14	11	18(16.2-19.8)	36	28500				

#680K—180K Max. Clamping Voltage Testing Current 20A.

Please visit our website to get more update data, those data & specification are subject to change without notice.