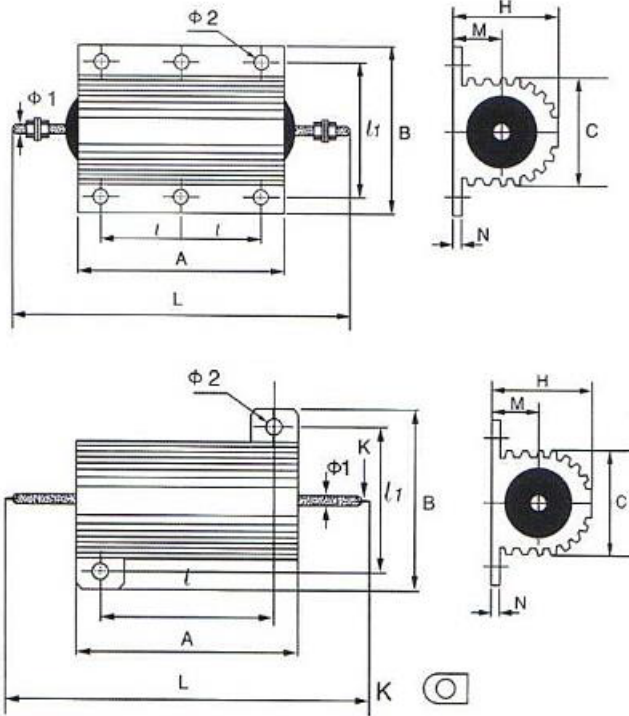


JBR-BQ Wirewound Resistor

Common Dimensions



Technical Specification

Type	Rated Power	Dimensions(mm)												
		Resistor Body											HeatSink	
		A max	B	L max	H max	C	L	L1	M	N	ø1	ø2	Surface Area(cm ²)	Thickness (mm)
JBR-BQ	5	15.5	16	36.5	8	8.5	11.4	12	4.4	1.5	1.5	2.2	415	1
	10(15)	19.5	21	40.5	10	11.2	14	16	5	2	2	2.5	415	
	20(15/25)	27	27	48	13	14.3	18.3	20	7	2	2	3.5	535	
	30(25)	34	29	55	15.5	16.3	25	22	7.3	2	2	3.5	535	
	50	50	30	72	15.5	16.3	0	20.5	7.3	2	2	3.5	995	
JBR-GQ	75/100	65.5	48	93.5	26	27	23.5	37	11.5	3.5	M3	4.4	995	3
	100/150	98	48	126	26	27	35	37	11.5	3.5	M3	4.4	995	
	150	130	48	158	26	27	52	37	11.5	3.5	M3	4.4	995	
	200	92	73	132	45	46.5	35	58	21	5	M6	5.5	3750	
	250	112	73	152	45	46.5	45	58	21	5	M6	5.5	4765	
	300	130	73	170	45	46.5	51	58	21	5	M6	5.5	5780	
	500	204	73	244	45	46.5	87	58	21	5	M6	5.5	5800	

JBR-BQ Wirewound Resistor

Main Characteristics								
Type	Rated Power		Resistance Range(Ω)	Tolerance(%)	T.C.R.($\times 10^{-6} / ^\circ\text{C}$)	Voltage(V)		
	With Shell	Without Shell						
JBR-BQ	5	3	0.01~1K	$\pm 1 \pm 5$	$\pm 100 \pm 50$	1000		
	10(15)	8	0.01~1.5K					
	20(15/25)	12.5	0.01~20K					
	30(25)	15	0.01~27K					
	50	20	0.01~33K					
JBR-GQ	75	45	0.01~39K			$\pm 1 \pm 5$	$\pm 100 \pm 50$	2000
	100	50	0.01~51K					
	150	55	0.01~56K					
	200	50	0.01~62K					
	250	60	0.01~68K					
	300	75	0.01~75K					
	500	200	0.01~82K					

Please visit our website to get more update data, those data & specification are subject to change without notice.