

JBR-3306 Trimming Potentiometers

FEATURES

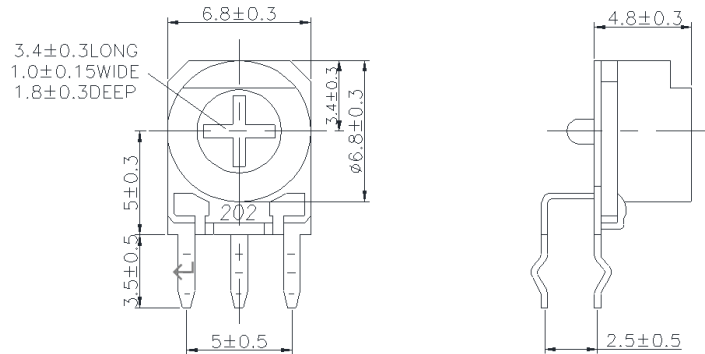
- Single-Turn / Cermet / Industrial / Open Frame
- 2 Terminal Styles

Electrical Characteristics

Standard Resistance Range	100Ω - 1MΩ
Resistance Tolerance	±25% std
Terminal Resistance	≤±1%R or 30Ω)
Contact Resistance Variation	(CRV) ≤±3%R or 5Ω
Resolution	Essentially infinite
Adjustment Angle	215°

Common Dimensions

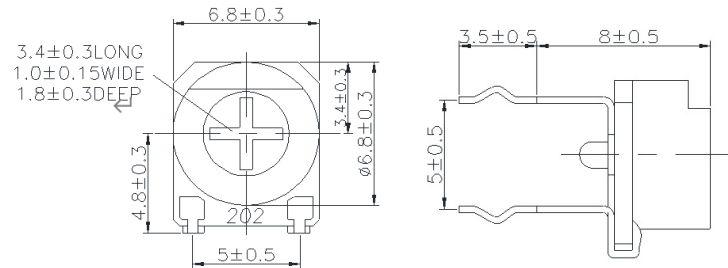
JBR-3306K



Environmental Characteristics

Power Rating	0.2W (70°C)
Temperature Range	-30°C ~ +100°C
Temperature Coefficient	±250x10 ⁻⁶ /°C
Load Life (0.2W, 1000h, 70°C)	ΔR ≤ ±(5%R + 0.1 Ω), CRV ≤ ±3%R or 5Ω
Rotational Life (200cycles)	ΔR ≤ ±(10%R + 0.5 Ω), CRV ≤ ±3%R or 5Ω

JBR-3306F



Physical Characteristics

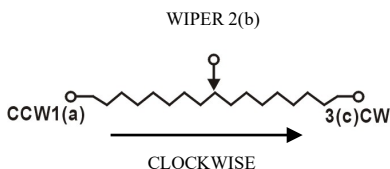
Mechanical Angle	260°
Starting Toque	≤35mN.m
Stop Strength	≥50mN.m
Standard packaging	200pcs. Per bag

Resistance Table

Resistance (Ohms)	Resistance Code
100	101
200	201
500	501
1,000	102
2,000	202
5,000	502
10,000	103
20,000	203
25,000	253
50,000	503
100,000	104
200,000	204
250,000	254
500,000	504
1,000,000	105

How to Order

JBR-3306K-1-103R



Please visit our website to get more update data, those data & specification are subject to change without notice.