

# Hybrid Tantalum Capacitor (With Mounting flange) – JTTN



## FEATURES

- Tantalum case, Hermetically Sealed, Radial-lead, Heteropolarity, with mounting flange.
- Commingled by Electrolytic Tantalum Capacitor and Electrochemical Capacitor, Small size, Super Capacitance.
- Stable in Electrical Performances, High Reliability, Long life-span, Maximum in the Density of Capacitance and Energy
- Built-in as battery in Energy-converted-circuit & Power-pulsed-circuit, functioned as filtering, storage energy, time-delay circuit.

## SPECIFICATIONS

Operating Temperature	-55°C to +125°C (to +125°C, with rated voltage derating)
Storage Temperature	-62°C ~ +130°C
Capacitance Tolerance	K: (±10%), M: (±20%)

### Electrical Characteristics

Rated Voltage (V)	Category Voltage (V)	Surge Voltage (V)	Cap. (µF)	tgδ (%)	ESR (Ω) 1kHz	DCL (µA)		Impedance at (Ω) 100Hz	Capacitance Change at (%)		Dimensions
						25°C	85°C, 125°C		-55°C	85°C	DxH (mm)
10	6	11	50000	180	0.050	150	900	1.0	-75	+140	35.5x8
			100000	180	0.035	300	1800		-80	+160	35.5x12
			150000	180	0.025	300	1800		-80	+160	35.5x16
			200000	190	0.025	400	1800		-80	+160	35.5x20
			230000	190	0.025	400	1800		-80	+160	35.5x24
16	9.5	17.6	30000	160	0.050	150	900	1.0	-70	+140	35.5x8
			60000	165	0.035	300	1800		-80	+160	35.5x12
			90000	165	0.025	300	1800		-80	+160	35.5x16
			120000	170	0.025	400	1800		-80	+160	35.5x20
			140000	170	0.025	400	1800		-80	+160	35.5x24
25	15	27.5	18000	120	0.050	150	900	1.0	-65	+120	35.5x8
			36000	130	0.040	300	1800		-75	+160	35.5x12
			54000	130	0.035	300	1800		-75	+160	35.5x16
			70000	140	0.025	400	1800		-75	+160	35.5x20
			86000	140	0.025	400	1800		-75	+160	35.5x24
35	20	38.5	12000	90	0.065	150	900	1.0	-50	+120	35.5x8
			24000	95	0.040	300	1800		-70	+160	35.5x12
			36000	95	0.035	300	1800		-70	+160	35.5x16
			50000	100	0.025	400	1800		-70	+160	35.5x20
			60000	100	0.025	400	1800		-70	+160	35.5x24
50	30	55	8000	65	0.070	170	1000	1.2	-40	+120	35.5x8
			16000	70	0.040	400	2400		-55	+135	35.5x12
			24000	70	0.035	400	2400		-55	+135	35.5x16
			30000	75	0.025	400	1600		-60	+160	35.5x20
			32000	75	0.025	400	1600		-60	+160	35.5x20
			33000	75	0.025	400	1600		-60	+160	35.5x24

Please visit our website to get more update data, those data & specification are subject to change without notice.

# Hybrid Tantalum Capacitor (With Mounting flange) – JTTN

Electrical Characteristics											
Rated Voltage (V)	Category Voltage (V)	Surge Voltage (V)	Cap. (μF)	tgδ (%)	ESR (Ω) 1kHz	DCL (μA)		Impedance at (Ω) 100Hz	Capacitance Change at (%)		Dimensions
						25°C	85°C, 125°C		-55°C	85°C	DxH
						(mm)					
63	38	70	1800	40	0.200	126	1000	1.4	-20	+60	35.5x8
			4000	45	0.100	170	1000		-30	+80	35.5x8
			8000	50	0.040	400	2400		-45	+90	35.5x12
			12000	50	0.035	400	2400		-45	+90	35.5x16
			16000	55	0.035	400	1600		-50	+100	35.5x20
			18000	55	0.035	400	1600		-50	+100	35.5x24
80	48	88	1600	20	0.150	100	1000	1.6	-20	+60	35.5x8
			2800	40	0.100	200	1200		-30	+80	35.5x8
			5600	40	0.060	500	3000		-40	+90	35.5x12
			8200	40	0.040	500	3000		-40	+90	35.5x16
			11000	45	0.035	500	2500		-40	+100	35.5x20
13000	45	0.035	500	2500	-40	+100	35.5x24				
100	60	110	1200	35	0.125	200	1200	1.8	-25	+60	35.5x8
			2400	35	0.080	500	3000		-30	+80	35.5x12
			3600	35	0.050	500	3000		-30	+80	35.5x16
			4800	40	0.035	500	2500		-30	+80	35.5x20
			6000	40	0.035	500	2500		-30	+80	35.5x20
110	66	121	580	35	0.200	200	1200	2.0	-20	+50	35.5x8
			1200	35	0.080	500	3000		-25	+60	35.5x12
			1800	35	0.075	500	3000		-25	+60	35.5x16
125	75	138	560	35	0.200	200	1200	2.4	-15	+50	35.5x8
			1100	30	0.080	500	3000		-25	+50	35.5x12
			1600	30	0.075	500	3000		-25	+50	35.5x16
			2200	35	0.050	500	2500		-25	+50	35.5x20
			2800	35	0.050	500	2500		-20	+40	35.5x24

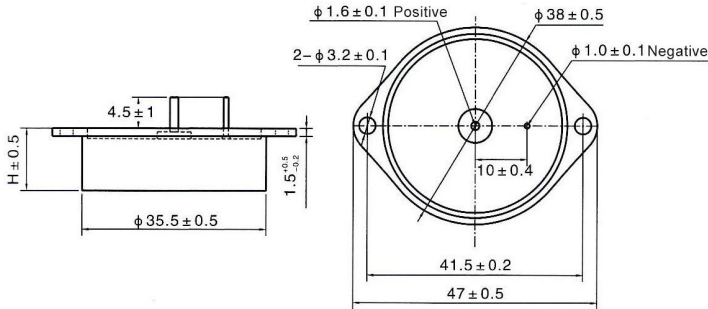
Electrical Characteristics											
Rated Voltage (V)	Category Voltage (V)	Surge Voltage (V)	Cap. (μF)	tgδ (%)	ESR (Ω) 1kHz	DCL (μA)		Impedance at (Ω) 100Hz	Capacitance Change at (%)		Dimensions
						25°C	85°C, 125°C		-55°C	-55°C	85°C
						(mm)					
10	6	11	30000	120	0.4	200	1600	8	-70	+140	19x12
16	9.5	17.6	20000	120	0.4	200	1600	8	-70	+140	19x12
25	15	27.5	12000	90	0.4	200	1600	8	-60	+140	19x12
30	18	33	10000	85	0.45	200	1600	8	-60	+120	19x12
35	20	38.5	8000	60	0.45	150	1200	8	-55	+100	19x12
50	30	55	6000	50	0.45	200	1600	9.6	-55	+90	19x12
63	38	70	3300	40	0.55	200	1600	11.2	-30	+70	19x12
75	48	82.5	2200	35	0.65	160	1300	12.8	-25	+70	19x12
100	60	110	1000	35	0.85	100	800	14.4	-20	+30	19x12
125	75	138	600	30	1.5	75	600	19.2	-20	+30	19x12

Please visit our website to get more update data, those data & specification are subject to change without notice.

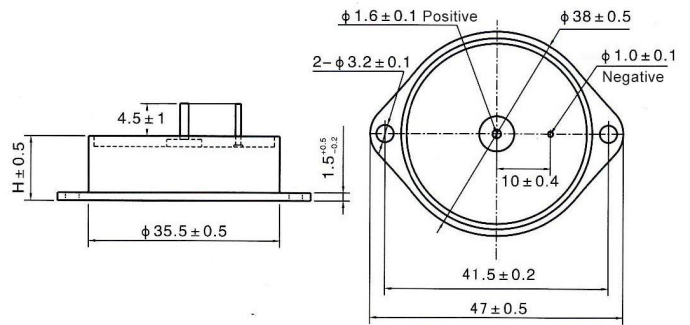
# Hybrid Tantalum Capacitor (With Mounting flange) – JTTN

Dimensions (unit: mm)

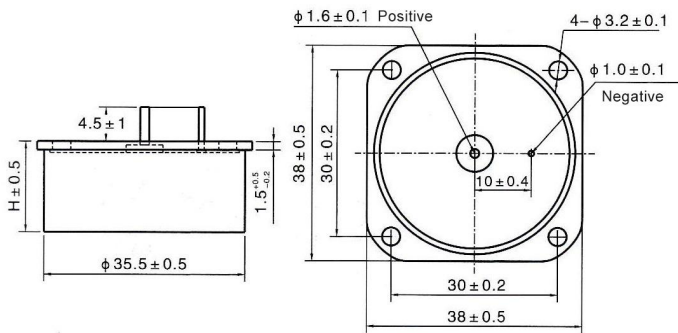
A Type



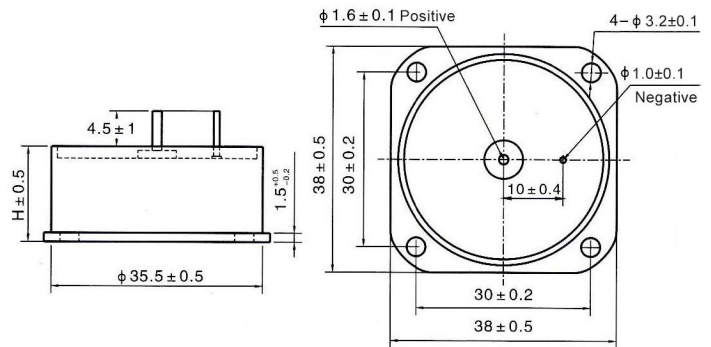
B Type



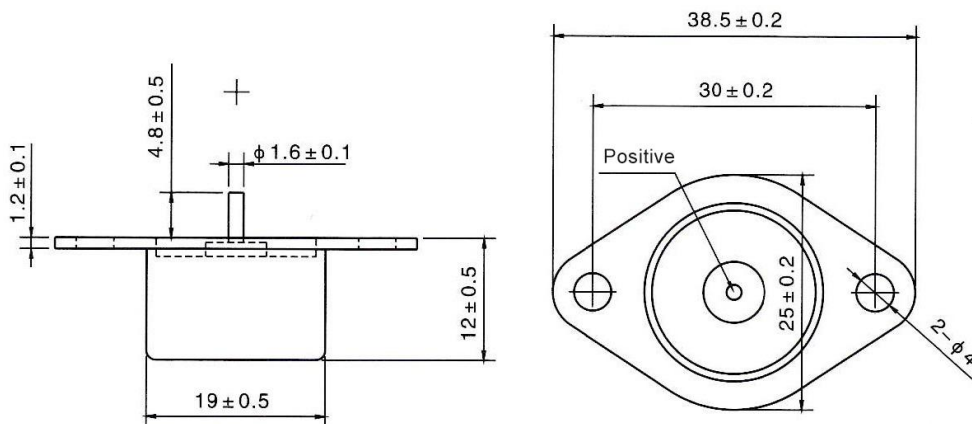
C Type



D Type



E Type



- Note:
1. Please do not use multimeter through the measuring procedures (may cause irreversible damage and lead to discard).
  2. Capacitance and DF measured at 100Hz,  $U_- = 2.20^{0}_{-1.0}V$ ,  $U_+ = 1.0^{0}_{-0.5}V$  Test only applied in series equivalent circuit.
  3. Voltage derating is applied at  $+125^{\circ}C$ . (The DCL parameter should be read after 5 minutes when it connected to the circuit).
  4. Special size and demand could consult with us.

Please visit our website to get more update data, those data & specification are subject to change without notice.