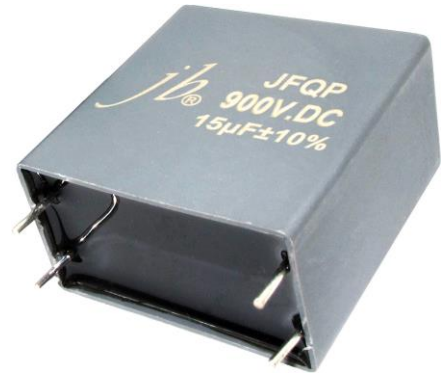


Metallized polypropylene film capacitors DC link-high power-JFQP

FEATURES

- High ripple current, high dv/dt withstand capability.
- Low ESL and ESR
- Plastic case, epoxy resin sealing (UL 94V-0)
- DC-Link and coupling/filtering for Inverter, Industrial and high-endpower supplies and Solar inverters

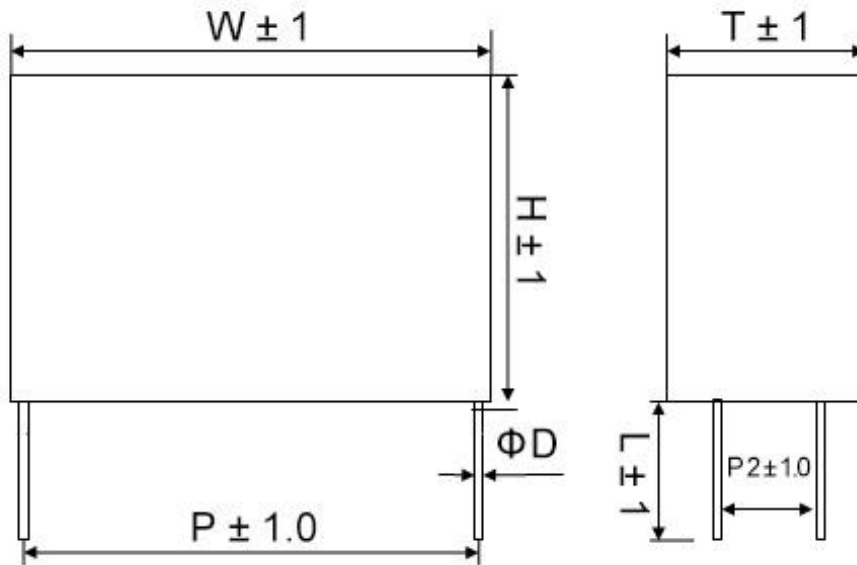


SPECIFICATIONS

| | |
|---|---|
| Reference standards | GB/T17702 IEC61071 |
| Operating Temperature | -40°C ~ +105°C |
| Voltage Rating | 500VDC--1200VDC |
| Capacitance Range | 0.68µF ~ 110µF |
| Capacitance Tolerance | ±5% (J) ±10% (K) |
| Insulation Resistance | ≥5000S (100VDC, 25°C±5°C, 60s) |
| Voltage test between terminals | 1.5*Un (10S 25°C±5°C) |
| Voltage test between terminals and case | (√2Un+1000)V.AC (10S, 50/60Hz, 25°C±5°C) |
| Dissipation Factor | tg δ ≤ 20*10 ⁻⁴ (25°C±5°C, 1KHz) |
| Max.Altitude | 2000m |

Metallized polypropylene film capacitors DC link-high power-JFQP

DRAWING:



Note : Special requirements can be designed according to customer requirements

P/N for P2: please refer to our [Part Number System](#) special require for JFQP

Eg: JFQP2U156K275000B102

Dimensions Table for 500VDC:

(Unit : mm)

| TYPE | | | | | | | |
|----------|-----|-------|-------|-------|-------|--------|----------|
| CAP (uF) | W±1 | L±1.0 | T±1.0 | H±1.0 | P±1.0 | P2±1.0 | d Ø±0.05 |
| 5.0 | 32 | 6 | 11 | 20 | 27.5 | -- | 0.8 |
| 10.0 | 32 | 6 | 15 | 24.5 | 27.5 | -- | 0.8 |
| 22.0 | 32 | 6 | 22 | 37 | 27.5 | -- | 0.8 |
| 30.0 | 42 | 6 | 20 | 40 | 37.5 | 10.2 | 1 |
| 35.0 | 42 | 6 | 24 | 36 | 37.5 | 10.2 | 1 |
| 40.0 | 42 | 6 | 27.5 | 37.5 | 37.5 | 10.2 | 1 |
| 50.0 | 42 | 6 | 28 | 43 | 37.5 | 10.2 | 1.2 |
| 50.0 | 42 | 6 | 30 | 45 | 37.5 | 20.3 | 1.2 |
| 60.0 | 42 | 6 | 30 | 45 | 37.5 | 20.3 | 1.2 |
| 75.0 | 57 | 6 | 29.5 | 43.5 | 52.5 | 10.2 | 1.2 |
| 75.0 | 57 | 6 | 29.5 | 43.5 | 52.5 | 20.3 | 1.2 |
| 80.0 | 57 | 6 | 29.5 | 43.5 | 52.5 | 20.3 | 1.2 |
| 100.0 | 57 | 6 | 35 | 50 | 52.5 | 20.3 | 1.2 |
| 110.0 | 57 | 6 | 35 | 50 | 52.5 | 20.3 | 1.2 |

***Please contact us for special item or size not listed .**

Please visit our website to get more update data, those data & specification are subject to change without notice.

Metallized polypropylene film capacitors DC link-high power-JFQP

Dimensions Table for 600VDC:

(Unit : mm)

| CAP (uF) | TYPE | | | | | | |
|----------|------|-------|-------|-------|-------|--------|----------|
| | W±1 | L±1.0 | T±1.0 | H±1.0 | P±1.0 | P2±1.0 | d Ø±0.05 |
| 2.0 | 32 | 6 | 9 | 18 | 27.5 | -- | 0.8 |
| 3.0 | 32 | 6 | 11 | 20 | 27.5 | -- | 0.8 |
| 4.0 | 32 | 6 | 11 | 22 | 27.5 | -- | 0.8 |
| 5.0 | 32 | 6 | 13 | 22 | 27.5 | -- | 0.8 |
| 6.0 | 32 | 6 | 15 | 24.5 | 27.5 | -- | 0.8 |
| 7.0 | 32 | 6 | 15 | 24.5 | 27.5 | -- | 0.8 |
| 8.0 | 32 | 6 | 14 | 28 | 27.5 | -- | 0.8 |
| 9.0 | 32 | 6 | 16 | 30 | 27.5 | -- | 0.8 |
| 10.0 | 32 | 6 | 16 | 30 | 27.5 | -- | 0.8 |
| 10.0 | 41 | 6 | 16 | 30 | 37.5 | -- | 1 |
| 12.0 | 32 | 6 | 18 | 33 | 27.5 | -- | 0.8 |
| 12.0 | 41 | 6 | 16 | 30 | 37.5 | -- | 1 |
| 15.0 | 32 | 6 | 18 | 33 | 27.5 | -- | 0.8 |
| 15.0 | 32 | 6 | 18 | 33 | 27.5 | 10.2 | 0.8 |
| 15.0 | 41 | 6 | 18.5 | 33.5 | 37.5 | -- | 1 |
| 18.0 | 32 | 6 | 18 | 33 | 27.5 | -- | 0.8 |
| 18.0 | 32 | 6 | 18 | 33 | 27.5 | 10.2 | 0.8 |
| 20.0 | 42 | 6 | 20 | 40 | 37.5 | 10.2 | 1 |
| 22.0 | 42 | 6 | 20 | 40 | 37.5 | 10.2 | 1 |
| 25.0 | 42 | 6 | 20 | 40 | 37.5 | 10.2 | 1 |
| 30.0 | 42 | 6 | 24 | 44 | 37.5 | 10.2 | 1 |
| 35.0 | 42 | 6 | 30 | 45 | 37.5 | 10.2 | 1.2 |
| 35.0 | 42 | 6 | 30 | 45 | 37.5 | 20.3 | 1.2 |
| 40.0 | 42 | 6 | 30 | 45 | 37.5 | 10.2 | 1.2 |
| 40.0 | 42 | 6 | 30 | 45 | 37.5 | 20.3 | 1.2 |
| 40.0 | 57 | 6 | 25 | 45 | 52.5 | 10.2 | 1.2 |
| 45.0 | 42 | 6 | 35 | 50 | 37.5 | 10.2 | 1.2 |
| 45.0 | 42 | 6 | 35 | 50 | 37.5 | 20.3 | 1.2 |
| 45.0 | 57 | 6 | 25 | 45 | 52.5 | 10.2 | 1.2 |
| 50.0 | 42 | 6 | 35 | 50 | 37.5 | 20.3 | 1.2 |
| 50.0 | 57 | 6 | 25 | 45 | 52.5 | 10.2 | 1.2 |
| 55.0 | 42 | 6 | 35 | 50 | 37.5 | 20.3 | 1.2 |
| 55.0 | 57 | 6 | 29.5 | 43.5 | 52.5 | 10.2 | 1.2 |
| 55.0 | 57 | 6 | 29.5 | 43.5 | 52.5 | 20.3 | 1.2 |

***Please contact us for special item or size not listed .**

Please visit our website to get more update data, those data & specification are subject to change without notice.

Metallized polypropylene film capacitors DC link-high power-JFQP

Dimensions Table for 600VDC

| TYPE | | | | | | | |
|----------|-----|-------|-------|-------|-------|--------|----------|
| CAP (uF) | W±1 | L±1.0 | T±1.0 | H±1.0 | P±1.0 | P2±1.0 | d Ø±0.05 |
| 60.0 | 42 | 6 | 40 | 55 | 37.5 | 20.3 | 1.2 |
| 60.0 | 57 | 6 | 29.5 | 43.5 | 52.5 | 10.2 | 1.2 |
| 60.0 | 57 | 6 | 29.5 | 43.5 | 52.5 | 20.3 | 1.2 |
| 65.0 | 42 | 6 | 40 | 55 | 37.5 | 20.3 | 1.2 |
| 65.0 | 57 | 6 | 35 | 50 | 52.5 | 10.2 | 1.2 |
| 65.0 | 57 | 6 | 35 | 50 | 52.5 | 20.3 | 1.2 |
| 70.0 | 42 | 6 | 40 | 55 | 37.5 | 20.3 | 1.2 |
| 70.0 | 57 | 6 | 35 | 50 | 52.5 | 20.3 | 1.2 |
| 75.0 | 42 | 6 | 45 | 60 | 37.5 | 20.3 | 1.2 |
| 75.0 | 57 | 6 | 35 | 50 | 52.5 | 20.3 | 1.2 |
| 80.0 | 42 | 6 | 45 | 60 | 37.5 | 20.3 | 1.2 |
| 80.0 | 57 | 6 | 35 | 50 | 52.5 | 20.3 | 1.2 |
| 85.0 | 42 | 6 | 45 | 60 | 37.5 | 20.3 | 1.2 |
| 85.0 | 57 | 6 | 45 | 55 | 52.5 | 20.3 | 1.2 |
| 90.0 | 57 | 6 | 45 | 55 | 52.5 | 20.3 | 1.2 |
| 95.0 | 57 | 6 | 45 | 55 | 52.5 | 20.3 | 1.2 |
| 100.0 | 57 | 6 | 45 | 55 | 52.5 | 20.3 | 1.2 |
| 110.0 | 57 | 6 | 45 | 55 | 52.5 | 20.3 | 1.2 |
| 120.0 | 57 | 6 | 45 | 65 | 52.5 | 20.3 | 1.2 |
| 130.0 | 57 | 6 | 45 | 65 | 52.5 | 20.3 | 1.2 |
| 140.0 | 57 | 6 | 45 | 65 | 52.5 | 20.3 | 1.2 |

***Please contact us for special item or size not listed .**

Please visit our website to get more update data, those data & specification are subject to change without notice.

Metallized polypropylene film capacitors DC link-high power-JFQP

Dimensions Table for 800VDC

| CAP (uF) | TYPE | | | | | | |
|----------|------|-------|-------|-------|-------|--------|----------|
| | W±1 | L±1.0 | T±1.0 | H±1.0 | P±1.0 | P2±1.0 | d Ø±0.05 |
| 2.0 | 32 | 6 | 9 | 18 | 27.5 | -- | 0.8 |
| 3.0 | 32 | 6 | 11 | 20 | 27.5 | -- | 0.8 |
| 3.3 | 32 | 6 | 16 | 30 | 27.5 | -- | 0.8 |
| 4.0 | 32 | 6 | 13 | 25 | 27.5 | -- | 0.8 |
| 5.0 | 32 | 6 | 15 | 24.5 | 27.5 | -- | 0.8 |
| 6.0 | 32 | 6 | 16 | 30 | 27.5 | -- | 0.8 |
| 7.0 | 32 | 6 | 16 | 30 | 27.5 | -- | 0.8 |
| 8.0 | 32 | 6 | 18 | 33 | 27.5 | -- | 0.8 |
| 8.0 | 41 | 6 | 16 | 30 | 37.5 | -- | 1 |
| 9.0 | 32 | 6 | 18 | 33 | 27.5 | -- | 0.8 |
| 9.0 | 41 | 6 | 16 | 30 | 37.5 | -- | 1 |
| 10.0 | 32 | 6 | 22 | 37 | 27.5 | -- | 0.8 |
| 10.0 | 32 | 6 | 22 | 37 | 27.5 | 10.2 | 0.8 |
| 10.0 | 41 | 6 | 18.5 | 33.5 | 37.5 | -- | 1 |
| 11.0 | 32 | 6 | 22 | 37 | 27.5 | -- | 0.8 |
| 11.0 | 32 | 6 | 22 | 37 | 27.5 | 10.2 | 0.8 |
| 12.0 | 32 | 6 | 22 | 37 | 27.5 | -- | 0.8 |
| 12.0 | 32 | 6 | 22 | 37 | 27.5 | 10.2 | 0.8 |
| 12.0 | 41 | 6 | 20 | 33.5 | 37.5 | -- | 1 |
| 13.0 | 32 | 6 | 22 | 37 | 27.5 | -- | 0.8 |
| 13.0 | 32 | 6 | 22 | 37 | 27.5 | 10.2 | 0.8 |
| 14.0 | 32 | 6 | 22 | 37 | 27.5 | -- | 0.8 |
| 14.0 | 32 | 6 | 22 | 37 | 27.5 | 10.2 | 0.8 |
| 15.0 | 42 | 6 | 20 | 40 | 37.5 | 10.2 | 1 |
| 20.0 | 42 | 6 | 24 | 44 | 37.5 | 10.2 | 1 |
| 25.0 | 42 | 6 | 30 | 44 | 37.5 | 10.2 | 1 |
| 25.0 | 57 | 6 | 25 | 45 | 52.5 | 10.2 | 1.2 |
| 30.0 | 42 | 6 | 30 | 45 | 37.5 | 10.2 | 1.2 |
| 30.0 | 42 | 6 | 30 | 45 | 37.5 | 20.3 | 1.2 |
| 30.0 | 57 | 6 | 25 | 45 | 52.5 | 10.2 | 1.2 |
| 35.0 | 42 | 6 | 35 | 45 | 37.5 | 20.3 | 1.2 |
| 35.0 | 57 | 6 | 25 | 45 | 52.5 | 10.2 | 1.2 |

***Please contact us for special item or size not listed .**

Please visit our website to get more update data, those data & specification are subject to change without notice.

Metallized polypropylene film capacitors DC link-high power-JFQP

Dimensions Table for 800VDC

| CAP (uF) | TYPE | | | | | | |
|----------|------|-------|-------|-------|-------|--------|----------|
| | W±1 | L±1.0 | T±1.0 | H±1.0 | P±1.0 | P2±1.0 | d Ø±0.05 |
| 40.0 | 42 | 6 | 35 | 50 | 37.5 | 20.3 | 1.2 |
| 40.0 | 57 | 6 | 29.5 | 43.5 | 52.5 | 10.2 | 1.2 |
| 40.0 | 57 | 6 | 29.5 | 43.5 | 52.5 | 20.3 | 1.2 |
| 45.0 | 42 | 6 | 40 | 50 | 37.5 | 20.3 | 1.2 |
| 45.0 | 57 | 6 | 29.5 | 43.5 | 52.5 | 10.2 | 1.2 |
| 45.0 | 57 | 6 | 29.5 | 43.5 | 52.5 | 20.3 | 1.2 |
| 50.0 | 42 | 6 | 40 | 55 | 37.5 | 20.3 | 1.2 |
| 50.0 | 57 | 6 | 35 | 50 | 52.5 | 10.2 | 1.2 |
| 50.0 | 57 | 6 | 35 | 50 | 52.5 | 20.3 | 1.2 |
| 55.0 | 42 | 6 | 45 | 55 | 37.5 | 20.3 | 1.2 |
| 55.0 | 57 | 6 | 35 | 50 | 52.5 | 20.3 | 1.2 |
| 60.0 | 42 | 6 | 45 | 60 | 37.5 | 20.3 | 1.2 |
| 65.0 | 42 | 6 | 45 | 60 | 37.5 | 20.3 | 1.2 |
| 60.0 | 57 | 6 | 35 | 50 | 52.5 | 20.3 | 1.2 |
| 65.0 | 57 | 6 | 45 | 55 | 52.5 | 20.3 | 1.2 |
| 70.0 | 57 | 6 | 45 | 55 | 52.5 | 20.3 | 1.2 |
| 75.0 | 57 | 6 | 45 | 55 | 52.5 | 20.3 | 1.2 |
| 80.0 | 57 | 6 | 45 | 55 | 52.5 | 20.3 | 1.2 |
| 85.0 | 57 | 6 | 45 | 55 | 52.5 | 20.3 | 1.2 |
| 90.0 | 57 | 6 | 45 | 55 | 52.5 | 20.3 | 1.2 |
| 95.0 | 57 | 6 | 45 | 65 | 52.5 | 20.3 | 1.2 |
| 100.0 | 57 | 6 | 45 | 65 | 52.5 | 20.3 | 1.2 |
| 110.0 | 57 | 6 | 45 | 65 | 52.5 | 20.3 | 1.2 |

***Please contact us for special item or size not listed .**

Please visit our website to get more update data, those data & specification are subject to change without notice.

Metallized polypropylene film capacitors DC link-high power-JFQP

Dimensions Table for 900VDC

| CAP (uF) | TYPE | | | | | | |
|----------|------|-------|-------|-------|-------|--------|----------|
| | W±1 | L±1.0 | T±1.0 | H±1.0 | P±1.0 | P2±1.0 | d Ø±0.05 |
| 1.0 | 32 | 6 | 9 | 18 | 27.5 | -- | 0.8 |
| 2.0 | 32 | 6 | 11 | 20 | 27.5 | -- | 0.8 |
| 3.0 | 32 | 6 | 13 | 22 | 27.5 | -- | 0.8 |
| 4.0 | 32 | 6 | 15 | 24.5 | 27.5 | -- | 0.8 |
| 4.7 | 41 | 6 | 15 | 26 | 37.5 | -- | 1 |
| 4.7 | 41 | 6 | 16 | 30 | 37.5 | -- | 1 |
| 5.0 | 32 | 6 | 16 | 30 | 27.5 | -- | 0.8 |
| 6.0 | 32 | 6 | 18 | 33 | 27.5 | -- | 0.8 |
| 6.0 | 41 | 6 | 16 | 30 | 37.5 | -- | 1 |
| 7.0 | 32 | 6 | 18 | 33 | 27.5 | -- | 0.8 |
| 7.0 | 41 | 6 | 16 | 30 | 37.5 | -- | 1 |
| 8.0 | 32 | 6 | 22 | 37 | 27.5 | -- | 0.8 |
| 8.0 | 32 | 6 | 22 | 37 | 27.5 | 10.2 | 0.8 |
| 8.0 | 41 | 6 | 18 | 33 | 37.5 | -- | 1 |
| 9.0 | 32 | 6 | 22 | 37 | 27.5 | -- | 0.8 |
| 9.0 | 32 | 6 | 22 | 37 | 27.5 | 10.2 | 0.8 |
| 10.0 | 32 | 6 | 22 | 37 | 27.5 | -- | 0.8 |
| 10.0 | 32 | 6 | 22 | 37 | 27.5 | 10.2 | 0.8 |
| 10.0 | 42 | 6 | 20 | 40 | 37.5 | 10.2 | 1 |
| 12.0 | 41 | 6 | 22 | 37 | 37.5 | 10.2 | 1 |
| 15.0 | 42 | 6 | 24 | 44 | 37.5 | 10.2 | 1 |
| 15.0 | 57 | 6 | 25 | 45 | 52.5 | 10.2 | 1.2 |
| 18.0 | 42 | 6 | 24 | 44 | 37.5 | 10.2 | 1 |
| 20.0 | 42 | 6 | 24 | 44 | 37.5 | 10.2 | 1 |
| 20.0 | 57 | 6 | 25 | 45 | 52.5 | 10.2 | 1.2 |
| 25.0 | 42 | 6 | 30 | 45 | 37.5 | 10.2 | 1.2 |
| 25.0 | 42 | 6 | 30 | 45 | 37.5 | 20.3 | 1.2 |
| 25.0 | 57 | 6 | 25 | 45 | 52.5 | 10.2 | 1.2 |
| 30.0 | 42 | 6 | 35 | 50 | 37.5 | 20.3 | 1.2 |
| 30.0 | 57 | 6 | 29.5 | 43.5 | 52.5 | 10.2 | 1.2 |
| 30.0 | 57 | 6 | 29.5 | 43.5 | 52.5 | 20.3 | 1.2 |
| 35.0 | 42 | 6 | 40 | 55 | 37.5 | 20.3 | 1.2 |
| 35.0 | 57 | 6 | 29.5 | 43.5 | 52.5 | 10.2 | 1.2 |
| 35.0 | 57 | 6 | 29.5 | 43.5 | 52.5 | 20.3 | 1.2 |

***Please contact us for special item or size not listed .**

Please visit our website to get more update data, those data & specification are subject to change without notice.

Metallized polypropylene film capacitors DC link-high power-JFQP

Dimensions Table for 900VDC

| CAP (uF) | TYPE | | | | | | |
|----------|------|-------|-------|-------|-------|--------|----------|
| | W±1 | L±1.0 | T±1.0 | H±1.0 | P±1.0 | P2±1.0 | d Ø±0.05 |
| 40.0 | 42 | 6 | 40 | 55 | 37.5 | 20.3 | 1.2 |
| 40.0 | 57 | 6 | 35 | 50 | 52.5 | 20.3 | 1.2 |
| 45.0 | 42 | 6 | 45 | 60 | 37.5 | 20.3 | 1.2 |
| 45.0 | 57 | 6 | 35 | 50 | 52.5 | 20.3 | 1.2 |
| 50.0 | 42 | 6 | 45 | 60 | 37.5 | 20.3 | 1.2 |
| 50.0 | 57 | 6 | 35 | 50 | 52.5 | 20.3 | 1.2 |
| 55.0 | 57 | 6 | 45 | 55 | 52.5 | 20.3 | 1.2 |
| 60.0 | 57 | 6 | 45 | 55 | 52.5 | 20.3 | 1.2 |
| 65.0 | 57 | 6 | 45 | 55 | 52.5 | 20.3 | 1.2 |
| 70.0 | 57 | 6 | 35 | 65 | 52.5 | 20.3 | 1.2 |
| 75.0 | 57 | 6 | 35 | 65 | 52.5 | 20.3 | 1.2 |
| 80.0 | 57 | 6 | 35 | 65 | 52.5 | 20.3 | 1.2 |
| 85.0 | 57 | 6 | 35 | 65 | 52.5 | 20.3 | 1.2 |

***Please contact us for special item or size not listed .**

Please visit our website to get more update data, those data & specification are subject to change without notice.

Metallized polypropylene film capacitors DC link-high power-JFQP

Dimensions Table for 1000VDC

| CAP (uF) | TYPE | | | | | | |
|----------|------|-------|-------|-------|-------|--------|----------|
| | W±1 | L±1.0 | T±1.0 | H±1.0 | P±1.0 | P2±1.0 | d Ø±0.05 |
| 1.0 | 32 | 6 | 9 | 18 | 27.5 | -- | 0.8 |
| 2.0 | 32 | 6 | 13 | 22 | 27.5 | -- | 0.8 |
| 3.0 | 32 | 6 | 15 | 24.5 | 27.5 | -- | 0.8 |
| 4.0 | 32 | 6 | 16 | 30 | 27.5 | -- | 0.8 |
| 5.0 | 32 | 6 | 18 | 33 | 27.5 | -- | 0.8 |
| 5.0 | 41 | 6 | 16 | 30 | 37.5 | -- | 1 |
| 6.0 | 32 | 6 | 18 | 33 | 27.5 | -- | 0.8 |
| 6.0 | 41 | 6 | 16 | 30 | 37.5 | -- | 1 |
| 7.0 | 32 | 6 | 22 | 37 | 27.5 | -- | 0.8 |
| 7.0 | 32 | 6 | 22 | 37 | 27.5 | 10.2 | 0.8 |
| 7.0 | 41 | 6 | 18 | 33 | 37.5 | -- | 1 |
| 8.0 | 32 | 6 | 22 | 37 | 27.5 | -- | 0.8 |
| 8.0 | 32 | 6 | 22 | 37 | 27.5 | 10.2 | 0.8 |
| 8.0 | 41 | 6 | 18 | 33 | 37.5 | -- | 1 |
| 10.0 | 42 | 6 | 20 | 40 | 37.5 | -- | 1 |
| 10.0 | 42 | 6 | 20 | 40 | 37.5 | 10.2 | 1 |
| 12.0 | 41 | 6 | 22 | 37 | 37.5 | -- | 1 |
| 12.0 | 41 | 6 | 22 | 37 | 37.5 | 10.2 | 1 |
| 15.0 | 42 | 6 | 24 | 44 | 37.5 | 10.2 | 1 |
| 15.0 | 57 | 6 | 25 | 45 | 52.5 | 10.2 | 1.2 |
| 18.0 | 42 | 6 | 30 | 45 | 37.5 | 10.2 | 1 |
| 18.0 | 42 | 6 | 30 | 45 | 37.5 | 20.3 | 1 |
| 20.0 | 42 | 6 | 30 | 45 | 37.5 | 10.2 | 1 |
| 20.0 | 42 | 6 | 30 | 45 | 37.5 | 20.3 | 1 |
| 20.0 | 57 | 6 | 25 | 45 | 52.5 | 10.2 | 1.2 |
| 25.0 | 42 | 6 | 35 | 50 | 37.5 | 20.3 | 1 |
| 25.0 | 57 | 6 | 25 | 45 | 52.5 | 10.2 | 1.2 |
| 30.0 | 42 | 6 | 40 | 50 | 37.5 | 20.3 | 1 |
| 30.0 | 57 | 6 | 30 | 45 | 52.5 | 10.2 | 1.2 |
| 30.0 | 57 | 6 | 30 | 45 | 52.5 | 20.3 | 1.2 |
| 35.0 | 42 | 6 | 40 | 50 | 37.5 | 20.3 | 1 |
| 35.0 | 57 | 6 | 35 | 50 | 52.5 | 20.3 | 1.2 |

***Please contact us for special item or size not listed .**

Please visit our website to get more update data, those data & specification are subject to change without notice.

Metallized polypropylene film capacitors DC link-high power-JFQP

Dimensions Table for 1000VDC

| TYPE | | | | | | | |
|----------|-----|-------|-------|-------|-------|--------|----------|
| CAP (uF) | W±1 | L±1.0 | T±1.0 | H±1.0 | P±1.0 | P2±1.0 | d Ø±0.05 |
| 40.0 | 42 | 6 | 45 | 60 | 37.5 | 20.3 | 1 |
| 40.0 | 57 | 6 | 35 | 50 | 52.5 | 20.3 | 1.2 |
| 45.0 | 57 | 6 | 45 | 55 | 52.5 | 20.3 | 1.2 |
| 50.0 | 57 | 6 | 45 | 55 | 52.5 | 20.3 | 1.2 |
| 55.0 | 57 | 6 | 45 | 55 | 52.5 | 20.3 | 1.2 |
| 60.0 | 57 | 6 | 45 | 65 | 52.5 | 20.3 | 1.2 |
| 70.0 | 57 | 6 | 45 | 65 | 52.5 | 20.3 | 1.2 |

***Please contact us for special item or size not listed .**

Please visit our website to get more update data, those data & specification are subject to change without notice.

Metallized polypropylene film capacitors DC link-high power-JFQP

Dimensions Table for 1100VDC

| CAP (uF) | TYPE | | | | | | |
|----------|------|-------|-------|-------|-------|--------|----------|
| | W±1 | L±1.0 | T±1.0 | H±1.0 | P±1.0 | P2±1.0 | d Ø±0.05 |
| 0.68 | 32 | 6 | 11 | 20 | 27.5 | -- | 0.8 |
| 1.0 | 32 | 6 | 11 | 20 | 27.5 | -- | 0.8 |
| 2.0 | 32 | 6 | 13 | 25 | 27.5 | -- | 0.8 |
| 3.0 | 32 | 6 | 16 | 30 | 27.5 | -- | 0.8 |
| 3.0 | 41 | 6 | 16 | 30 | 37.5 | -- | 1 |
| 4.0 | 32 | 6 | 18 | 33 | 27.5 | -- | 0.8 |
| 4.0 | 41 | 6 | 16 | 30 | 37.5 | -- | 1 |
| 5.0 | 32 | 6 | 22 | 37 | 27.5 | -- | 0.8 |
| 5.0 | 32 | 6 | 22 | 37 | 27.5 | 10.2 | 0.8 |
| 5.0 | 41 | 6 | 18.5 | 33.5 | 37.5 | -- | 1 |
| 6.0 | 32 | 6 | 22 | 37 | 27.5 | -- | 0.8 |
| 6.0 | 32 | 6 | 22 | 37 | 27.5 | 10.2 | 0.8 |
| 6.0 | 41 | 6 | 18.5 | 33.5 | 37.5 | -- | 1 |
| 7.0 | 42 | 6 | 20 | 40 | 37.5 | 10.2 | 1 |
| 8.0 | 42 | 6 | 20 | 40 | 37.5 | 10.2 | 1 |
| 9.0 | 42 | 6 | 20 | 40 | 37.5 | 10.2 | 1 |
| 10.0 | 42 | 6 | 24 | 44 | 37.5 | 10.2 | 1 |
| 12.0 | 42 | 6 | 24 | 44 | 37.5 | -- | 1 |
| 12.0 | 42 | 6 | 24 | 44 | 37.5 | 10.2 | 1 |
| 15.0 | 42 | 6 | 30 | 45 | 37.5 | 10.2 | 1.2 |
| 15.0 | 42 | 6 | 30 | 45 | 37.5 | 20.3 | 1.2 |
| 15.0 | 57 | 6 | 25 | 45 | 52.5 | 10.2 | 1.2 |
| 18.0 | 42 | 6 | 35 | 50 | 37.5 | 20.3 | 1.2 |
| 20.0 | 42 | 6 | 35 | 50 | 37.5 | 20.3 | 1.2 |
| 20.0 | 57 | 6 | 29.5 | 43.5 | 52.5 | 10.2 | 1.2 |
| 20.0 | 57 | 6 | 29.5 | 43.5 | 52.5 | 20.3 | 1.2 |
| 25.0 | 42 | 6 | 40 | 55 | 37.5 | 20.3 | 1.2 |
| 25.0 | 57 | 6 | 35 | 50 | 52.5 | 20.3 | 1.2 |
| 30.0 | 42 | 6 | 45 | 60 | 37.5 | 20.3 | 1.2 |
| 30.0 | 57 | 6 | 35 | 50 | 52.5 | 20.3 | 1.2 |
| 35.0 | 57 | 6 | 45 | 55 | 52.5 | 20.3 | 1.2 |
| 40.0 | 57 | 6 | 45 | 55 | 52.5 | 20.3 | 1.2 |
| 45.0 | 57 | 6 | 45 | 55 | 52.5 | 20.3 | 1.2 |
| 50.0 | 57 | 6 | 45 | 65 | 52.5 | 20.3 | 1.2 |
| 55.0 | 57 | 6 | 45 | 65 | 52.5 | 20.3 | 1.2 |

***Please contact us for special item or size not listed .**

Please visit our website to get more update data, those data & specification are subject to change without notice.

Metallized polypropylene film capacitors DC link-high power-JFQP

Dimensions Table for 1200VDC

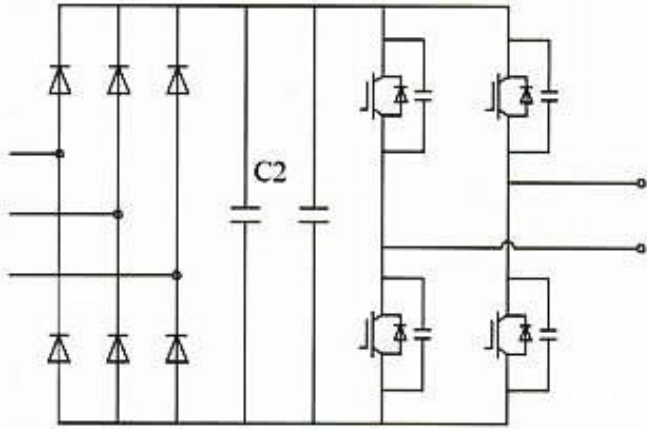
| CAP (uF) | TYPE | | | | | | |
|----------|------|-------|-------|-------|-------|--------|----------|
| | W±1 | L±1.0 | T±1.0 | H±1.0 | P±1.0 | P2±1.0 | d Ø±0.05 |
| 1.0 | 32 | 6 | 11 | 22 | 27.5 | -- | 0.8 |
| 2.0 | 32 | 6 | 15 | 24.5 | 27.5 | -- | 0.8 |
| 3.0 | 32 | 6 | 16 | 30 | 27.5 | -- | 0.8 |
| 3.0 | 41 | 6 | 16 | 30 | 37.5 | -- | 1 |
| 4.0 | 32 | 6 | 18 | 33 | 27.5 | -- | 0.8 |
| 4.0 | 41 | 6 | 16 | 30 | 37.5 | -- | 1 |
| 5.0 | 32 | 6 | 22 | 37 | 27.5 | -- | 0.8 |
| 5.0 | 32 | 6 | 22 | 37 | 27.5 | 10.2 | 0.8 |
| 5.0 | 41 | 6 | 18.5 | 33.5 | 37.5 | -- | 1 |
| 6.0 | 42 | 6 | 20 | 40 | 37.5 | -- | 1 |
| 7.0 | 41 | 6 | 22 | 37 | 37.5 | 10.2 | 1 |
| 8.0 | 42 | 6 | 24 | 44 | 37.5 | 10.2 | 1 |
| 9.0 | 42 | 6 | 24 | 44 | 37.5 | 10.2 | 1 |
| 10.0 | 42 | 6 | 24 | 44 | 37.5 | 10.2 | 1 |
| 12.0 | 42 | 6 | 30 | 45 | 37.5 | 10.2 | 1.2 |
| 12.0 | 42 | 6 | 30 | 45 | 37.5 | 20.3 | 1.2 |
| 12.0 | 57 | 6 | 25 | 45 | 52.5 | 10.2 | 1.2 |
| 15.0 | 42 | 6 | 35 | 50 | 37.5 | 20.3 | 1.2 |
| 15.0 | 57 | 6 | 25 | 45 | 52.5 | 10.2 | 1.2 |
| 18.0 | 42 | 6 | 35 | 50 | 37.5 | 20.3 | 1.2 |
| 20.0 | 42 | 6 | 40 | 55 | 37.5 | 20.3 | 1.2 |
| 20.0 | 57 | 6 | 29.5 | 43.5 | 52.5 | 10.2 | 1.2 |
| 20.0 | 57 | 6 | 29.5 | 43.5 | 52.5 | 20.3 | 1.2 |
| 20.0 | 57 | 6 | 30 | 45 | 52.5 | 10.2 | 1.2 |
| 20.0 | 57 | 6 | 30 | 45 | 52.5 | 20.3 | 1.2 |
| 25.0 | 42 | 6 | 45 | 60 | 37.5 | 20.3 | 1.2 |
| 25.0 | 57 | 6 | 35 | 50 | 52.5 | 20.3 | 1.2 |
| 30.0 | 57 | 6 | 45 | 55 | 52.5 | 20.3 | 1.2 |
| 35.0 | 57 | 6 | 45 | 55 | 52.5 | 20.3 | 1.2 |
| 40.0 | 57 | 6 | 45 | 65 | 52.5 | 20.3 | 1.2 |
| 45.0 | 57 | 6 | 45 | 65 | 52.5 | 20.3 | 1.2 |

***Please contact us for special item or size not listed .**

Please visit our website to get more update data, those data & specification are subject to change without notice.

Metallized polypropylene film capacitors DC link-high power-JFQP

Typical circuit



Expected lifetime curve

