

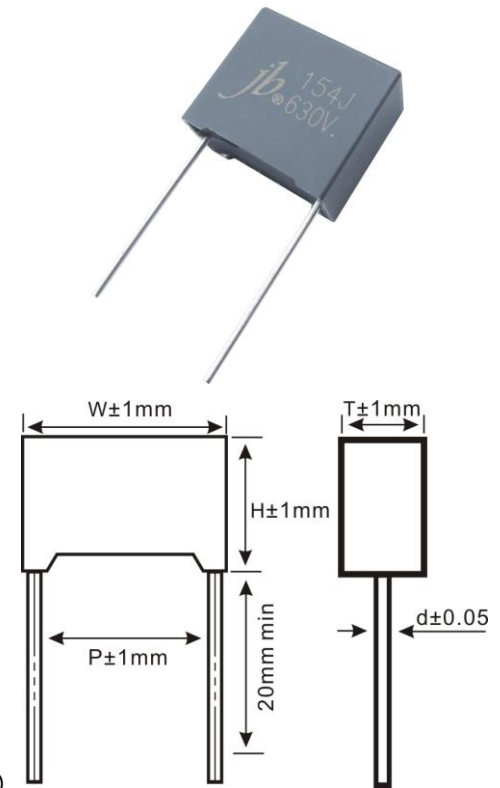
## Double Sided Box Type Met Polypropylene Film Capacitor – JFQD

### FEATURES

- Double sided metallized polypropylene structure
- Low loss and small inherent temperature rise
- Excellent active and passive flame resistant abilities
- Negative temperature coefficient of capacitance

### SPECIFICATIONS

Reference Standard	GB/T14579 (IEC 60384-17)
Operating Temperature Range	-40°C~85°C
Rated Voltage	630V, 1600V, 2000V
Capacitance Range	0.001μF ~ 0.068μF 1KHz 1V
Capacitance Tolerance	±5%(J), ±10%(K)
Voltage Proof (V)	1.6U <sub>R</sub> (5s)
	Charge current ≤50mA
Dissipation Factor (tg δ)	Tan δ ≤0.001 1kHz
	Capacity and loss tangent measurements at 25±2°C using 1±0.1KHz
Insulation Resistance (I.R.)	C≤0.33μF, IR≥50000MΩ C>0.33μF, IR≥15000S (MΩ/μF) (20°C,100V, 1min) Remark: T[s]=I.R. [MΩ]*C <sub>N</sub> [μF]



### STANDARD SIZE (mm)

400VDC (250VAC)												
μF	W	H	T	P	d	μF	W	H	T	P	d	
0.0027	10	9	4	7.5	0.6	0.1	18	13.5	7.5	15	0.8	
0.0033	10	9	4	7.5	0.6	0.12	18	13.5	7.5	15	0.8	
0.0039	10	9	4	7.5	0.6		26.5	15	6	22.5	0.8	
0.0047	10	9	4	7.5	0.6	0.15	18	14.5	8.5	15	0.8	
0.0056	10	9	4	7.5	0.6		26.5	15	6	22.5	0.8	
0.0068	10	9	4	7.5	0.6	0.18	18	16	10	15	0.8	
0.0082	10	9	4	7.5	0.6		26.5	16	7	22.5	0.8	
0.01	10	9	4	7.5	0.6	0.22	18	16	10	15	0.8	
	13	9	4	10	0.6		26.5	16	7	22.5	0.8	
0.012	10	9	4	7.5	0.6	0.27	18	19	11	15	0.8	
	13	9	4	10	0.6		26.5	17	8.5	22.5	0.8	
0.015	10	11	5	7.5	0.6	0.33	26.5	17	8.5	22.5	0.8	
	13	9	4	10	0.6		0.39	26.5	19	10	22.5	0.8
0.018	10	11	5	7.5	0.6	0.47		32	18	9	27.5	0.8
	13	9	4	10	0.6		26.5	19	10	22.5	0.8	
0.022	10	12	6	7.5	0.6	0.56	32	18	9	27.5	0.8	
	13	9	4	10	0.6		26.5	22	12	22.5	0.8	
0.027	10	12	6	7.5	0.6	0.68	32	20	11	27.5	0.8	
	12	11	5	10	0.6		26.5	22	12	22.5	0.8	
0.033	12	11	5	10	0.6	0.82	32	20	11	27.5	0.8	
	18	11	5	15	0.6		32	22	13	27.5	0.8	
0.039	13	12	6	10	0.6	1	32	24.5	15	27.5	0.8	
	18	11	5	15	0.6		1.2	32	24.5	15	27.5	0.8
0.047	13	12	6	10	0.6	1.5		32	33	18	27.5	0.8
	18	11	5	15	0.6		1.8	32	33	18	27.5	0.8
0.056	18	11	5	15	0.6							
0.068	18	12	6	15	0.6							
0.082	18	12	6	15	0.6							

Note: Specifications are subject to change without notice. For more detail and update, please visit our website.

## Double Sided Box Type Met Polypropylene Film Capacitor – JFQD

STANDARD SIZE (mm)											
630VDC (400VAC)											
μF	W	H	T	P	d	μF	W	H	T	P	d
0.0007	10	9	4	7.5	0.6	0.039	18	12	6	15	0.8
0.0008	10	9	4	7.5	0.6	0.047	18	12	6	15	0.8
0.001	10	9	4	7.5	0.6		26.5	15	6	22.5	0.8
0.0012	10	9	4	7.5	0.6	0.056	18	13.5	7.5	15	0.8
0.0015	10	9	4	7.5	0.6		26.5	15	6	22.5	0.8
0.0018	10	9	4	7.5	0.6	0.068	18	14.5	8.5	15	0.8
0.0022	10	9	4	7.5	0.6		26.5	15	6	22.5	0.8
0.0027	10	9	4	7.5	0.6	0.082	18	14.5	8.5	15	0.8
0.0033	10	9	4	7.5	0.6		26.5	15	6	22.5	0.8
0.0039	10	9	4	7.5	0.6	0.1	18	16	10	15	0.8
	13	9	4	10	0.6		26.5	15	6	22.5	0.8
0.0047	10	9	4	7.5	0.6	0.12	18	19	11	15	0.8
	13	9	4	10	0.6		26.5	16	7	22.5	0.8
0.0056	10	9	4	7.5	0.6	0.15	26.5	17	8.5	22.5	0.8
	13	9	4	10	0.6		32	18	9	27.5	0.8
0.0068	10	11	5	7.5	0.6	0.18	26.5	17	8.5	22.5	0.8
	13	9	4	10	0.6		32	18	9	27.5	0.8
0.0082	10	11	5	7.5	0.6	0.22	26.5	19	10	22.5	0.8
	13	9	4	10	0.6		32	18	9	27.5	0.8
0.01	10	12	6	7.5	0.6	0.27	26.5	22	12	22.5	0.8
	12	11	5	10	0.6		32	18	9	27.5	0.8
0.012	18	11	5	15	0.6	0.33	26.5	22	12	22.5	0.8
	10	12	6	7.5	0.6		32	20	11	27.5	0.8
0.015	12	11	5	10	0.6	0.39	26.5	22	12	22.5	0.8
	18	11	5	15	0.6		32	20	11	27.5	0.8
0.018	13	12	6	10	0.6	0.47	32	22	13	27.5	0.8
	18	11	5	15	0.6	0.56	32	22	13	27.5	0.8
0.022	13	12	6	10	0.6	0.68	32	24.5	15	27.5	0.8
	18	11	5	15	0.6	0.82	32	28	14	27.5	0.8
0.027	18	11	5	15	0.6	1	32	33	18	27.5	0.8
0.033	18	12	6	15	0.8	1.2	32	33	18	27.5	0.8

Note: Specifications are subject to change without notice. For more detail and update, please visit our website.

## Double Sided Box Type Met Polypropylene Film Capacitor – JFQD

STANDARD SIZE (mm)											
1000VDC (600VAC)											
µF	W	H	T	P	d	µF	W	H	T	P	d
0.0005	10	9	4	7.5	0.6	0.018	18	13.5	7.5	15	0.8
0.0006	10	9	4	7.5	0.6	0.022	18	13.5	7.5	15	0.8
0.0007	10	9	4	7.5	0.6	0.027	18	14.5	8.5	15	0.8
0.0008	10	9	4	7.5	0.6		26.5	15	6	22.5	0.8
0.001	10	9	4	7.5	0.6	0.033	18	16	10	15	0.8
	10	12	6	7.5	0.6		26.5	15	6	22.5	0.8
0.0012	10	9	4	7.5	0.6	0.039	18	16	10	15	0.8
	10	12	6	7.5	0.6		26.5	16	7	22.5	0.8
0.0015	10	9	4	7.5	0.6	0.047	18	19	11	15	0.8
	13	9	4	10	0.6		26.5	16	7	22.5	0.8
0.0018	10	9	4	7.5	0.6	0.056	26.5	17	8.5	22.5	0.8
	13	9	4	10	0.6	0.068	26.5	17	8.5	22.5	0.8
0.0022	10	9	4	7.5	0.6	0.082	26.5	19	10	22.5	0.8
	13	9	4	10	0.6	0.1	26.5	19	10	22.5	0.8
0.0027	10	11	5	7.5	0.6		32	18	9	27.5	0.8
	13	9	4	10	0.6	0.12	26.5	22	12	22.5	0.8
0.0033	10	11	5	7.5	0.6		32	18	9	27.5	0.8
	13	9	4	10	0.6	0.15	26.5	22	12	22.5	0.8
0.0039	12	11	5	10	0.6		32	20	11	27.5	0.8
0.0047	12	11	5	10	0.6	0.18	32	20	11	27.5	0.8
0.0056	13	12	6	10	0.6	0.22	32	22	13	27.5	0.8
0.0068	13	12	6	10	0.6	0.27	32	24.5	15	27.5	0.8
0.0082	18	11	5	15	0.6	0.33	32	24.5	15	27.5	0.8
0.01	18	11	5	15	0.6	0.39	32	33	18	27.5	0.8
0.012	18	11	5	15	0.6	0.47	32	33	18	27.5	0.8
0.015	18	11	5	15	0.6						

STANDARD SIZE (mm)											
1600VDC (650VAC)											
µF	W	H	T	P	d	µF	W	H	T	P	d
0.0007	18	11	5	15	0.8	0.018	26.5	15	6	22.5	0.8
0.0008	18	11	5	15	0.8	0.022	26.5	15	6	22.5	0.8
0.001	18	11	5	15	0.8	0.027	26.5	15	6	22.5	0.8
0.0012	18	11	5	15	0.8	0.033	26.5	16	7	22.5	0.8
0.0015	18	11	5	15	0.8		26.5	17	8.5	22.5	0.8
0.0018	18	11	5	15	0.8	0.039	32	18	9	27.5	0.8
0.0022	18	11	5	15	0.8		26.5	19	10	22.5	0.8
0.0027	18	11	5	15	0.8	0.047	32	18	9	27.5	0.8
0.0033	18	11	5	15	0.8		26.5	19	10	22.5	0.8
0.0039	18	11	5	15	0.8	0.056	32	18	9	27.5	0.8
0.0047	18	11	5	15	0.8		26.5	22	12	22.5	0.8
0.0056	18	11	5	15	0.8	0.068	32	18	9	27.5	0.8
0.0068	18	11	5	15	0.8		26.5	22	12	22.5	0.8
0.0082	18	12	6	15	0.8	0.082	32	20	11	27.5	0.8
0.01	18	12	6	15	0.8		32	20	11	27.5	0.8
0.012	18	13.5	7.5	15	0.8	0.12	32	22	12	27.5	0.8
0.015	18	13.5	7.5	15	0.8	0.15	32	24.5	15	27.5	0.8
	26.5	15	6	22.5	0.8		0.18	32	24.5	15	27.5
0.018	18	14.5	8.5	15	0.8	0.22	32	24.5	15	27.5	0.8
0.022	18	14.5	8.5	15	0.8	0.27	32	24.5	15	27.5	0.8
0.027	18	16	10	15	0.8	0.33	32	33	18	27.5	0.8
0.033	18	19	11	15	0.8						

Note: Specifications are subject to change without notice. For more detail and update, please visit our website.

## Double Sided Box Type Met Polypropylene Film Capacitor – JFQD

STANDARD SIZE (mm)											
2000VDC (700VAC)											
μF	W	H	T	P	d	μF	W	H	T	P	d
<b>0.0002</b>	18	11	5	15	0.8	<b>0.0068</b>	18	13.5	7.5	15	0.8
<b>0.0003</b>	18	11	5	15	0.8		26.5	15	6	22.5	0.8
<b>0.0004</b>	18	11	5	15	0.8	<b>0.0082</b>	18	14.5	8.5	15	0.8
<b>0.0005</b>	18	11	5	15	0.8		26.5	15	6	22.5	0.8
<b>0.0006</b>	18	11	5	15	0.8	<b>0.01</b>	18	16	10	15	0.8
<b>0.0007</b>	18	11	5	15	0.8		26.5	15	6	22.5	0.8
<b>0.0008</b>	18	11	5	15	0.8	<b>0.012</b>	18	16	10	15	0.8
<b>0.001</b>	18	11	5	15	0.8		26.5	15	6	22.5	0.8
	26.5	15	6	22.5	0.8	<b>0.015</b>	18	19	11	15	0.8
<b>0.0012</b>	18	11	5	15	0.8		26.5	16	7	22.5	0.8
	26.5	15	6	22.5	0.8	<b>0.018</b>	26.5	16	7	22.5	0.8
<b>0.0015</b>	18	11	5	15	0.8	<b>0.022</b>	26.5	17	8.5	22.5	0.8
	26.5	15	6	22.5	0.8		32	18	9	27.5	0.8
<b>0.0018</b>	18	11	5	15	0.8	<b>0.027</b>	26.5	19	10	22.5	0.8
	26.5	15	6	22.5	0.8		32	18	9	27.5	0.8
<b>0.0022</b>	18	11	5	15	0.8	<b>0.033</b>	26.5	19	10	22.5	0.8
	26.5	15	6	22.5	0.8		32	18	9	27.5	0.8
<b>0.0027</b>	18	11	5	15	0.8	<b>0.039</b>	26.5	22	12	22.5	0.8
	26.5	15	6	22.5	0.8		32	20	11	27.5	0.8
<b>0.0033</b>	18	12	6	15	0.8	<b>0.047</b>	26.5	22	12	22.5	0.8
	26.5	15	6	22.5	0.8		32	20	11	27.5	0.8
<b>0.0039</b>	18	12	6	15	0.8	<b>0.056</b>	32	22	13	27.5	0.8
	26.5	15	6	22.5	0.8	<b>0.068</b>	32	22	13	27.5	0.8
<b>0.0047</b>	18	12	6	15	0.8	<b>0.082</b>	32	24.5	15	27.5	0.8
	26.5	15	6	22.5	0.8	<b>0.1</b>	32	28	14	27.5	0.8
<b>0.0056</b>	18	13.5	7.5	15	0.8	<b>0.12</b>	32	33	18	27.5	0.8
	26.5	15	6	22.5	0.8	<b>0.15</b>	32	33	18	27.5	0.8

Note: Specifications are subject to change without notice. For more detail and update, please visit our website.