

JBR-C3305 SMD Trimming Potentiometers

FEATURES

- Reflow solderable.
- With rotation stopper.
- Low profile type (1.2mm in height).
- Conform to RoHS Directives.
- Achieved excellent endurance characteristics by using "Metal-glaze" film.



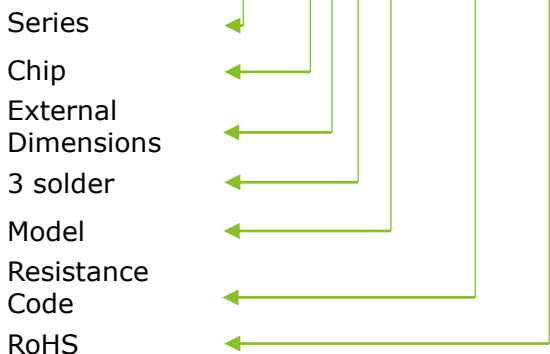
Electrical Characteristics	
Standard Resistance Range	100Ω to 1MΩ
Resistance Tolerance	±25%
Total Mechanical Rotation Angle	270° ±20° With rotation stopper

Environmental Characteristics	
Max. Working Voltage	50V or $V=\sqrt{PR}$ (Whichever is smaller)
Rated Wattage	0.15Watt
Temperature Range	-40°C to +100°C
Temperature Coefficient	±250ppm/°C

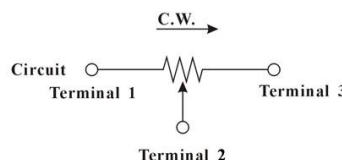
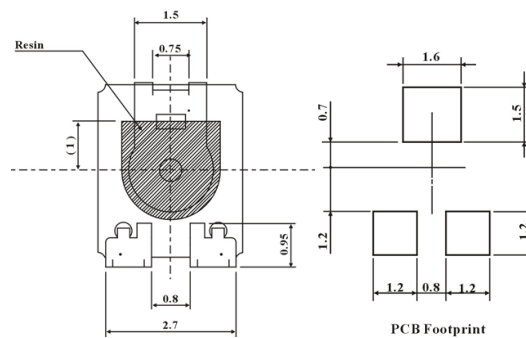
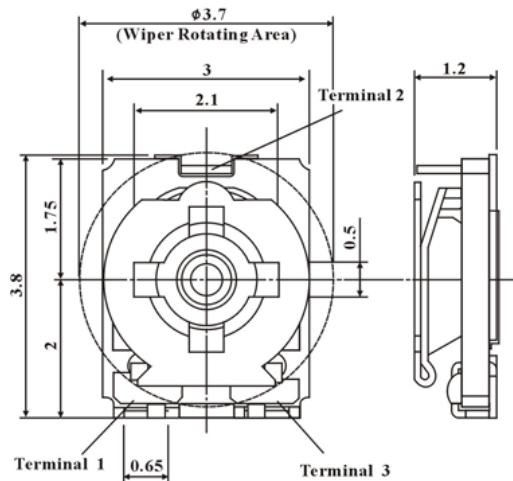
Physical Characteristics	
Rotational Torque	0.98mN·m ~ 11.76mN·m
End Stop Strength	14.7 mN·m (Min.)
Standard Packing	2500 PCS / REEL
Aqueous cleaning not recommended	

How to Order

JBR - C 3 3 05 - 1 0 1 - R



Common dimensions



Resistance Table

Resistance (Ohms)	Resistance Code
100	101
200	201
220	221
300	301
330	331
470	471
500	501
680	681
1,000	102
2,000	202
2,200	222
3,000	302
3,300	332
4,700	472
5,000	502
6,800	682
10,000	103
20,000	203
22,000	223
30,000	303
33,000	333
47,000	473
50,000	503
68,000	683
100,000	104
200,000	204
220,000	224
300,000	304
330,000	334
470,000	474
500,000	504
680,000	684
1,000,000	105

Please visit our website to get more update data, those data & specification are subject to change without notice.