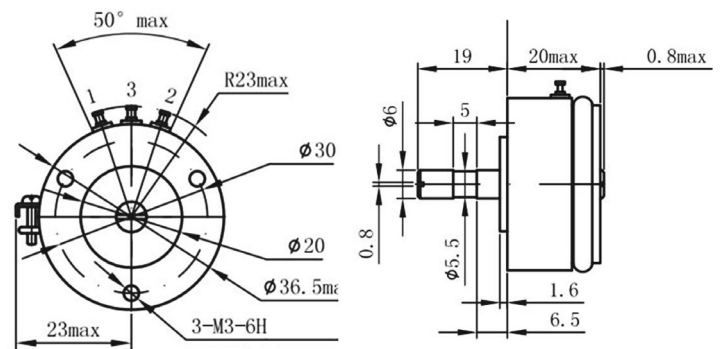


# JBR-BJ Conductive Plastic Potentiometer

Electrical Characteristics	
Standard Resistance Range	1KΩ~10KΩ
Resistance Tolerance	±1% (precision) ±15% (Standard)
Independent Linearity	±0.1% (precision) ±1% (Standard)
Electrical Travel	345° ±2% (Customized angle is available)
Power Rating	2W(70°C)
Temperature Coefficient	±400p.p.m. /°C
Insulation Resistance	≥ 1000MΩ(500VD.C)
Dielectric Strength	1000V(AC.RMS)1min
Output Smoothness	≤±0.1%

## Common Dimensions



Mechanical Characteristics	
Total Rotational Angle	360° (endless)
Start Torque	≤10*10 <sup>-4</sup> N·M

Environmental Characteristics	
Temperature range	-55 °C ~ +125 °C
Vibration dynamic	15G 2000 hz
Mechanical life	50,000,000 RPM
Shock	50G 11ms

Please visit our website to get more update data, those data & specification are subject to change without notice.