

JBR-BD

Electrical Characteristics

| | |
|-----------------------------|---------------------------|
| Range of nominal resistance | 5Ω~22KΩ |
| Resistance tolerance | ±5% |
| Terminal resistance | ≤±0.2%R or 5Ω |
| Peak Noise | ≤100Ω |
| Insulation resistance | ≥ 200MΩ(100VAC) |
| Withstand voltage | 500V(DC or AC peak value) |
| Electrical angle | 258°±5° |
| Rated power | 1W(300V 70°C) |

Environment Characteristics

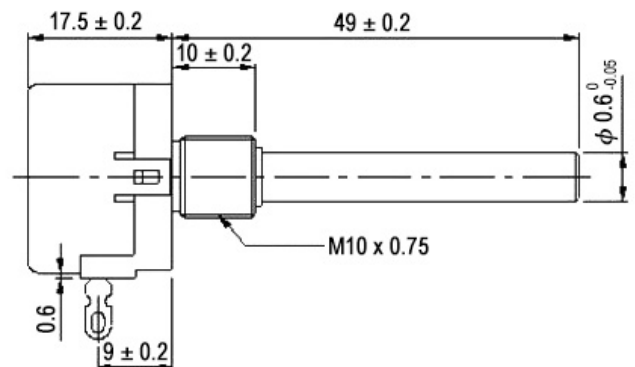
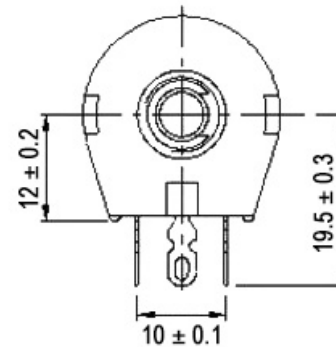
| | |
|--|---|
| Temperature range | -55°C~+125°C |
| TCR | ±100×10 ⁻⁶ /°C |
| Collision (390m/S ² , 4000 times) | ΔR≤±1%R |
| Vibration (10-500HZ, 0.75mm, 6h) | ΔR≤±1%R, ΔUab/Uac≤±2%R, Electrical break≤100μS |
| Temperature variation (-55°C/30min, +125°C/30min, 5cycles) | ΔR≤±2%R, ΔUab/Uac≤±2%R |
| Climate category (IEC68-2-2) | ΔR≤±(5%R+0.1Ω), Insulation Resistance≥100MΩ |
| Electrical endurance(2W,1000h) | ΔR≤± 3%R |
| Mechanical endurance(1000 cycles) | ΔR≤± (10%R+0.5Ω), CRV≤±3%R or 5Ω |
| Steady damp heat(IEC68-2-3, Ca, 96h) | ΔR≤± 3%R, Insulation Resistance≥100MΩ, starting torque ≤20mN.m |

Physical Characteristics

| | |
|-------------------------|-------------|
| Total mechanical travel | 300° ± 5 ° |
| Rotational torque | 2-10mN.m |
| Standard package | 25 pcs /box |



Common Dimensions



Please visit our website to get more update data, those data & specification are subject to change without notice.