

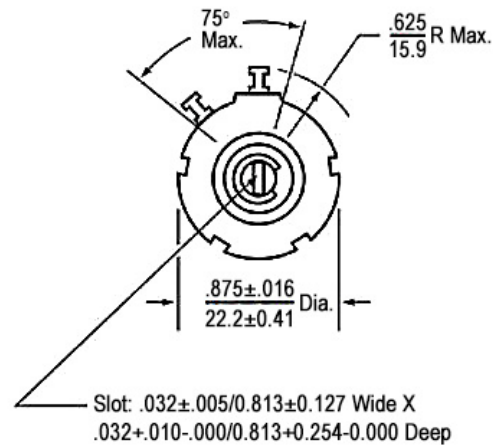
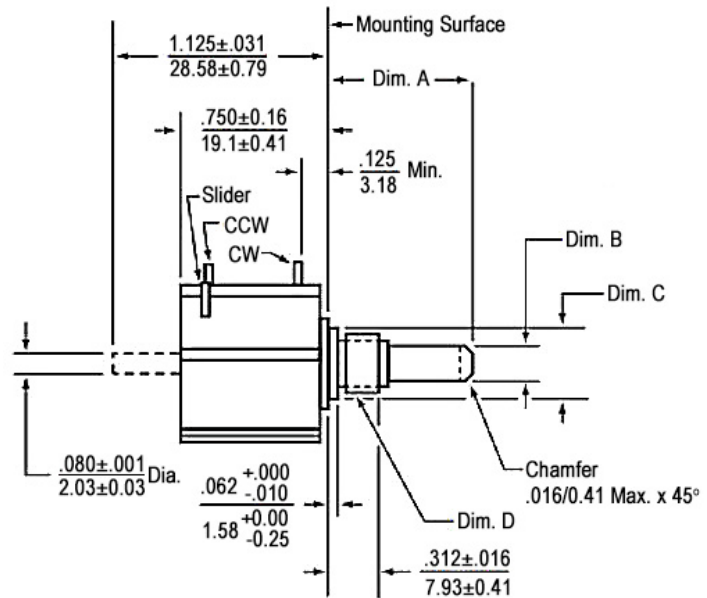
# JBR-BB Trimming Potentiometers

Electrical Characteristics	
Standard Resistance Range	100Ω~100KΩ
Resistance Tolerance	±5%
Independent Linearity	±0.25%
Terminal Resistance	≤0.2%R or 5Ω
Contact Resistance Variation (CRV)	≤3%R or 3Ω
Insulation Resistance	R1 ≥ 1GΩ
Withstand Voltage	101.3kPa 710V, 8.5kPa 470V
Rated Power	2W (315V max)
Effective Electrical Travel	≥360° -10°

Environment Characteristics	
Temperature Range	-55°C~+125°C
Temperature Coefficient	±100ppm/°C
Temperature Variation	ΔR ≤ ±2%R, ΔUab/Uac ≤ ±1%R
Collision (390m/S <sup>2</sup> , 4000 times)	ΔR ≤ ±1%R
Vibration (10-500HZ, 0.75mm or 98m/S <sup>2</sup> 26h)	ΔR ≤ ±1%R, ΔUab/Uac ≤ ±2%R
Climate Category	ΔR ≤ ± 3%R, R1 ≥ 100MΩ
Electrical Endurance (70°C, 2W, 1000h)	ΔR ≤ ± 3%R
Mechanical Endurance (10000 cycles)	ΔR ≤ ± 3%R
Steady Damp-Heat	ΔR ≤ ± 3%R, R1 ≥ 100MΩ



### Common Dimensions



Please visit our website to get more update data, those data & specification are subject to change without notice.