

# JBR-3590 Wire Wound Potentiometer

## FEATURES

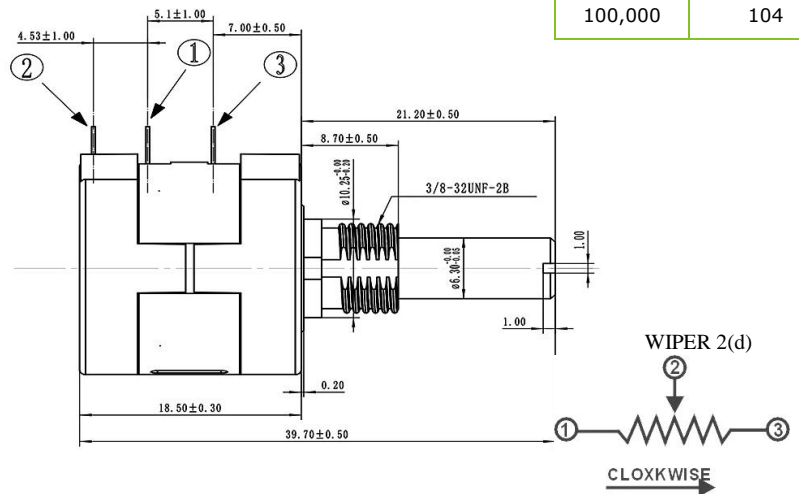
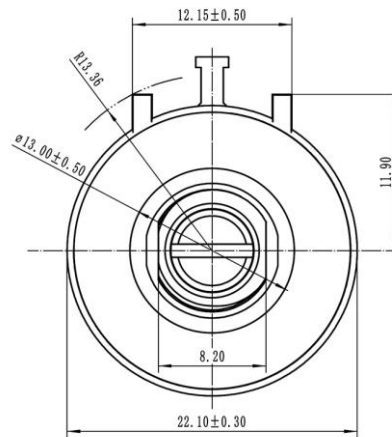
- Multiturn/ Round/ Wire Wound.
- 2 Shaft Styles.

Electrical Characteristics	
Standard Resistance Range	100Ω - 100KΩ
Resistance Tolerance	±5%
Independent Linearity	±0.5%
Effective Electrical Travel	≥3600° - 10°
Terminal Resistance	≤0.2%R or 5Ω
Noise	≤3% R or 3Ω
Insulation Resistance	R≥1GΩ
Withstand Voltage	101.3kPa 710V, 8.5kPa 470V

Environmental Characteristics	
Power Rating	2W@+70℃, 0W@+125℃
Temperature Range	-55℃ ~ +125℃
Temperature Coefficient	±100ppm / °C
Temperature Variation	ΔR≤±2%R. Δ(Uab/Uac)≤±1%
Collision	390m/s <sup>2</sup> , 4000cycles, R≤1%R
Vibration	10-500Hz, 0.75mm, or 98m/s <sup>2</sup> , 6h ΔR≤±1%R. Δ(Uab/Uac)≤±2%
Climate Category	ΔR≤±3%R. R <sub>i</sub> ≥100MΩ
Electrical Endurance at 70℃	2W, 1000h, ΔR≤±3%R
Mechanical Endurance	10000 cycles, ΔR≤±3%R
Steady damp-heat	ΔR≤±3%R, R <sub>i</sub> ≥100MΩ

Physical Characteristics	
Total Mechanical Travel	3600°±10°
Starting Torque	≤36mN. m
Clutch Torque	≥300mN. m
Standard Packaging	25pcs/box

## Common Dimensions



## Resistance Table

Resistance (Ohms)	Resistance Code
1,000	102
2,000	202
5,000	502
10,000	103
20,000	203
50,000	503
100,000	104

## How to Order

Model	←	JBR-3590S-2-103R
Style	←	
Metal Shaft and sleeve	←	
Resistance Code	←	
RoHS	←	

Please visit our website to get more update data, those data & specification are subject to change without notice.