

JBR-3314 Trimming Potentiometers

FEATURES

- Surface Mount 4mm Square Single-Turn Cermet
- Small in size

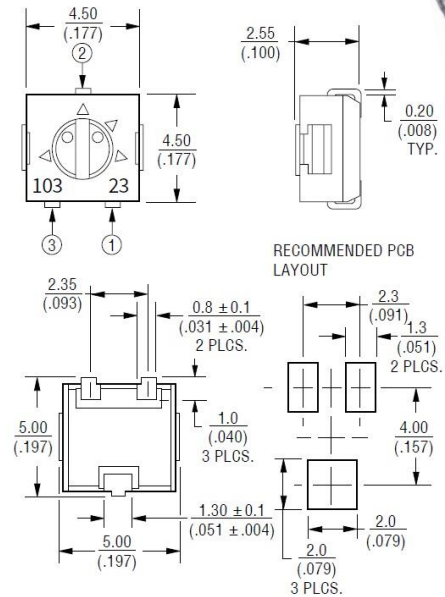
Electrical Characteristics	
Standard Resistance Range	10Ω - 2MΩ
Resistance Tolerance	±20% std.
End Resistance	1% or 2Ω max. (whichever is larger)
Contact Resistance Variation	3% or 3Ω
Resolution	Infinite
Insulation Resistance	500 VDC. 100 megohms min.
Dielectric Strength Sea Level	500 VAC (1 minute)
Adjustment Angle	210° nom

Environmental Characteristics	
Power Rating (300 volts max. for Style G, J)	70°C 0.25 watt / 125°C 0 watt
Temperature Range	-55°C ~ +125°C
Temperature Coefficient	±100ppm/°C ±250ppm/°C
Seal Test	85°C Fluorinert +/60 seconds
Humidity	90-98% RH, 10cycles, 240 hours TRS±2%; IR 10megohms
Vibration	20G TRS±1%; VRS±1%
Shock	100G TRS±1%; VRS±1%
Load Life (@ 70°C Rated Power 1000 Hours) ;	TRS±3%
Rotational Life	100 cycles TRS±3%
Thermal Shock	5 cycles TRS±2%; VRS±1%

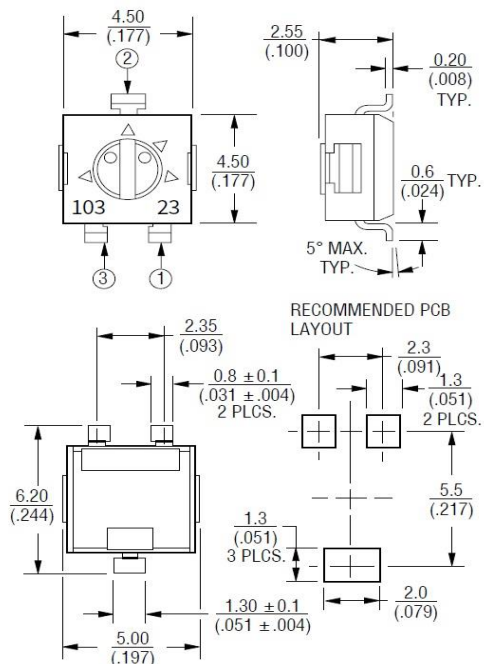
Physical Characteristics	
Mechanical Angle	240° nom
Torque	180 g-cm max.
Stop Torque	300 g-cm mix.
Pushover Strength(S & Z Style)	1.6 Kilograms (3.5lbs) min
Wiper	50% (Actual TR)±10%
Standard Packaging	500pcs, per tape reel
Adjustment Tool	H-91



Common Dimensions
JBR-3314J-1



JBR-3314G-1



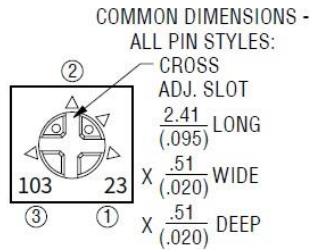
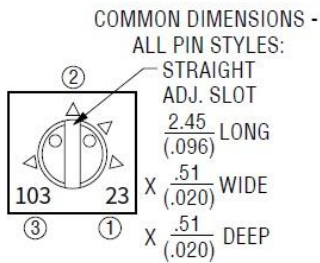
Please visit our website to get more update data, those data & specification are subject to change without notice.

JBR-3314 Trimming Potentiometers

JBR-3314J-1, JBR-3314G-1 JBR-3314J-2, JBR-3314G-2

Straight Slot

Cross Slot



How to Order

Model

Style

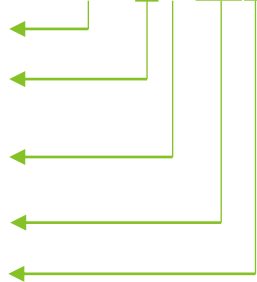
-1 = Standard Single Slot

-2 = Standard Cross Slot

Resistance Code

RoHS

JBR-3314J-1-103R



Resistance Table

Resistance (Ohms)	Resistance Code
10	100
20	200
50	500
100	101
200	201
500	501
1,000	102
2,000	202
5,000	502
10,000	103
20,000	203
50,000	503
100,000	104
200,000	204
250,000	254
500,000	504
1,000,000	105
2,000,000	205

Dimensions: MM
(INCHES)

Tolerances: ± 0.30 except where noted
(±.012)

Please visit our website to get more update data, those data & specification are subject to change without notice.