

JBR-065 Trimming Potentiometers

FEATURES

- Single turn Trimming Potentiometer.
- Phenolic Trimming Potentiometer.
- Cross slot rotor.
- Tops adjust and side adjust available.



Electrical Characteristics	
Standard Resistance Range	100Ω - 2MΩ
Resistance Tolerance	±30%
Residual Resistance	Max 5% of Nominal Resistance, But under 30Ω
Resistance Taper	Linear (B)
Rated Power	0.1W
Operating Voltage	50V Max
Rotational Life	Max ±5% change in resistance after 100 unloaded rotations
Load Life	Max ±5% change in resistance after 3 hours loaded

Mechanical Characteristics	
Rotational Angle	200° ± 20°
Rotational Torque	30~350g.cm
Stop-end Strength	500g.cm minimum

Climatic Characteristics	
Operating Temp	JBR-065: -25°C ~ 40°C JBR-063: -25°C ~ 70°C
Temp Characteristics	Temp Characteristics +5~ -10% change in NR after 5 hours at 70°C
Humidity Char	Maximum resistance change within ±20% after 500hours unloaded at 40°C and R.H.95%

Soldering Conditions	
Temperature	JBR-065: 260°C JBR-063: 250°C
Time	JBR-065: 3 seconds JBR-063: 2 seconds

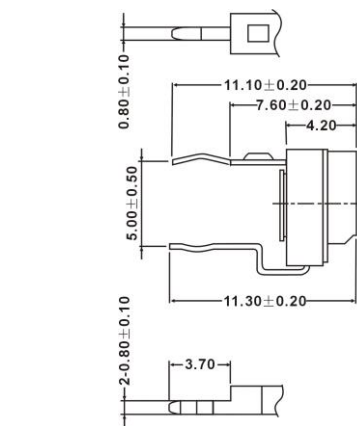
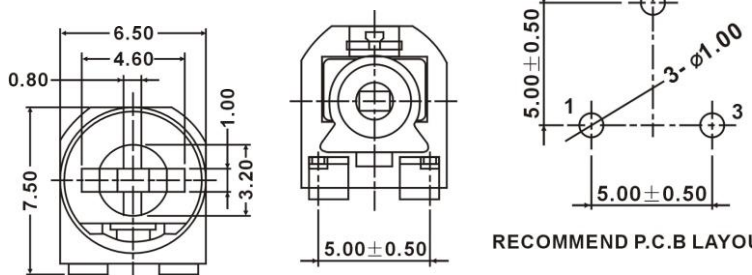
How to Order

JBR-065-103R

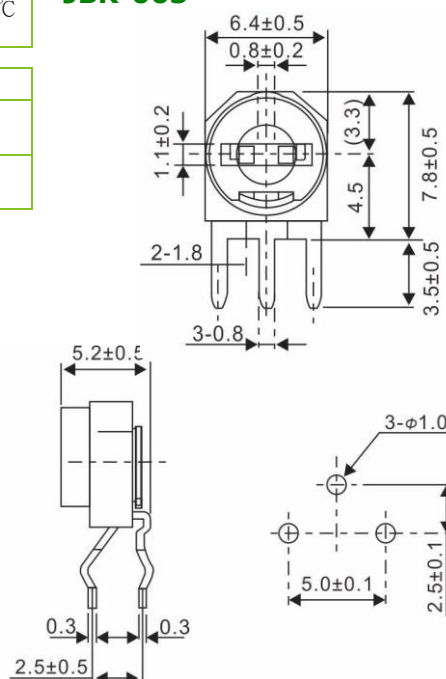
- Model
- Resistance Code
- RoHS



Common Dimensions JBR-065



JBR-063



Resistance Table

Resistance (Ohms)	Resistance Code
100	101
200	201
300	301
330	331
470	471
500	501
680	681
1,000	102
1,500	152
2,000	202
2,200	222
3,000	302
3,300	332
4,700	472
5,000	502
6,800	682
10,000	103
15,000	153
20,000	203
22,000	223
30,000	303
33,000	333
47,000	473
50,000	503
68,000	683
100,000	104
150,000	154
200,000	204
220,000	224
300,000	304
330,000	334
470,000	474
500,000	504
680,000	684
1,000,000	105
2,000,000	205

Special resistances available.

Please visit our website to get more update data, those data & specification are subject to change without notice.