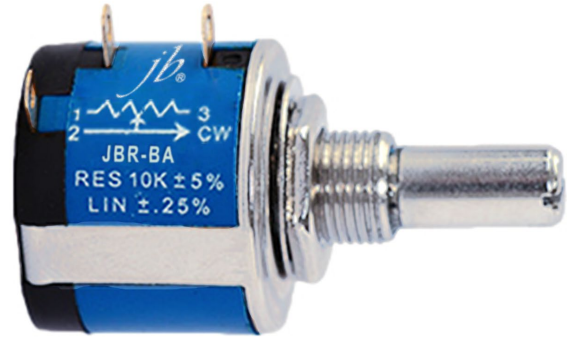
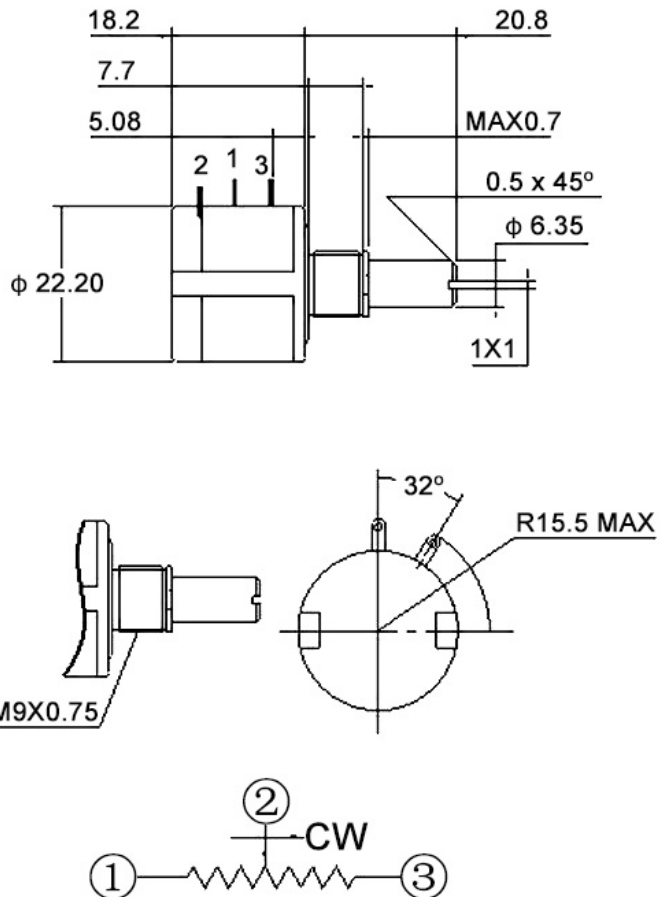


JBR-BA Trimming Potentiometers

Electrical Characteristics	
Standard Resistance Range	100Ω~100KΩ
Resistance Tolerance	±5%
Independent Linearity	±0.25%
Terminal Resistance	≤0.2%R or 5Ω
Contact Resistance Variation(CRV)	≤3%R or 3Ω
Insulation Resistance	R1 ≥ 1GΩ
Withstand Voltage	101.3kPa 500V, 8.5kPa 470V
Rated Power	2W (315Vmax)
Effective Electrical Travel	≥3600° -10°



Common Dimensions



Environment Characteristics	
Temperature Range	-55°C~+125°C
Temperature Coefficient	±250, ±100ppm/°C
Temperature Variation	$\Delta R \leq \pm 2\%R$, $\Delta U_{ab}/U_{ac} \leq \pm 1\%R$
Collision (390m/S ² , 4000 times)	$\Delta R \leq \pm 1\%R$
Vibration (10-500HZ, 0.75mm or 98m/S ² 6h)	$\Delta R \leq \pm 1\%R$, $\Delta U_{ab}/U_{ac} \leq \pm 2\%R$
Climate Category	$\Delta R \leq \pm 3\%R$, R1 ≥ 100MΩ
Electrical Endurance (70°C,2W,1000h)	$\Delta R \leq \pm 3\%R$
Mechanical Endurance (10000 cycles)	$\Delta R \leq \pm 3\%R$
Steady Damp-Heat	$\Delta R \leq \pm 3\%R$, R1 ≥ 100MΩ

Physical Characteristics	
Total Mechanical Travel	3600°±10°
Starting Torque	≤36mN.m
Clutch Torque	≤300mN.m

Please visit our website to get more update data, those data & specification are subject to change without notice.