

# X2 Metallized Polypropylene Film Capacitor – JFW

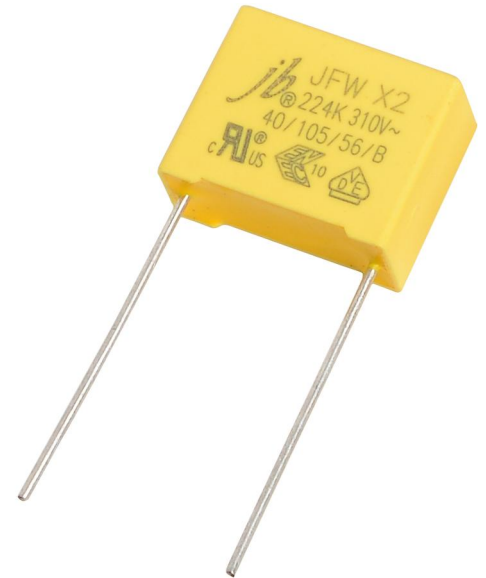
Interference Suppression Capacitors (Class X2, 310VAC)

## FEATURES

- > Non-inductive, (UL940V-0) plastic case sealed with epoxy resin.
- > Provides interference suppression with VDE, ENEC and UL approvals.

## SPECIFICATIONS

Operating Temperature	-40°C ~ +105°C
Voltage Rating	310VAC
Capacitance Range	0.0047 ~ 2.2μF
Capacitance Tolerance	±10% (K) standard,
Package	Bulk, Ammo Tape Package
Insulation Resistance	CR≤0.33 μF, I.R≥15,000MΩ CR>0.33 μF, I.R≥5,000S (20°C, 100V,1min)
Dissipation Factor	0.0010μF≤CR≤0.47μF ≤0.1% (1KHz,20°C) 1.0μF≤CR≤10μF≤0.3% (1KHz,20°C)
Voltage Proof	4.3Ur DC /5s



## SAFETY APPROVALS:

	LOGO MARK	COUNTRY	APPROVAL STANDARD	APPROVAL NO.	CLASS	CAP. RANGE	RATED VOLTAGE
VDE		GERMANY	DIN EN 60384-14 (VDE 0565 Teil 1-1)	40046768	X2	0.0047 to 10.0μF	310/305/275VAC
ENEC		EUROPE	EN 60384-14; IEC 60384-14	40046768	X2	0.0047 to 10.0μF	310/305/275VAC
cUL, UL		CANADA/U.S.A	UL/IEC 60384-14	E344970	X2	0.0047 to 10.0μF	310/305/275VAC

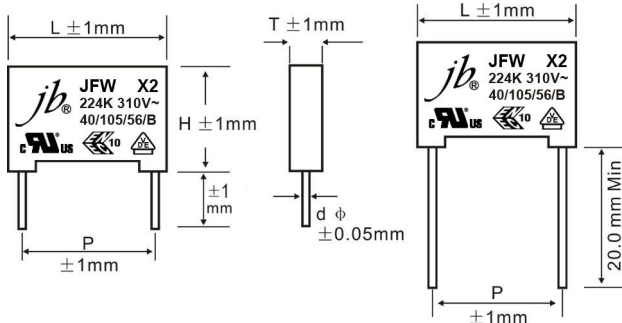
**ENEC mark has replaced all the following European National marks:**



## X2 Metallized Polypropylene Film Capacitor – JFW

Interference Suppression Capacitors (Class X2, 310VAC)

DRAWING:



Dimensions Table for 310V AC:

(Unit: mm)

A type						Part# Bulk Package (Loose in Box)
CAP	$L \pm 1.0$	$H \pm 1.0$	$T \pm 1.0$	$P \pm 1.0$	$d \phi \pm 0.05$	Standard leads 20mm Min
0.0047	13	9	4	10	0.6	JFW0A9472K100000B
0.0056	13	9	4	10	0.6	JFW0A9562K100000B
0.0068	13	9	4	10	0.6	JFW0A9682K100000B
0.0082	13	9	4	10	0.6	JFW0A9822K100000B
0.01	18	11	5	15	0.8	JFW0A9103K150000B
0.012	18	11	5	15	0.8	JFW0A9123K150000B
0.015	18	11	5	15	0.8	JFW0A9153K150000B
0.018	18	11	5	15	0.8	JFW0A9183K150000B
0.022	18	11	5	15	0.8	JFW0A9223K150000B
0.027	18	11	5	15	0.8	JFW0A9273K150000B
0.033	18	11	5	15	0.8	JFW0A9333K150000B
0.039	18	11	5	15	0.8	JFW0A9393K150000B
0.047	18	11	5	15	0.8	JFW0A9473K150000B
0.056	18	11	5	15	0.8	JFW0A9563K150000B
0.068	18	11	5	15	0.8	JFW0A9683K150000B
0.082	18	11	5	15	0.8	JFW0A9823K150000B
0.1	18	12	6	15	0.8	JFW0A9104K150000B
0.12	18	12	6	15	0.8	JFW0A9124K150000B
0.15	26.5	15	6	22.5	0.8	JFW0A9154K225000B
0.18	26.5	15	6	22.5	0.8	JFW0A9184K225000B
0.22	26.5	15	6	22.5	0.8	JFW0A9224K225000B
0.27	26.5	16.5	7	22.5	0.8	JFW0A9274K225000B
0.33	26.5	16.5	7	22.5	0.8	JFW0A9334K225000B
0.39	26.5	17	8.5	22.5	0.8	JFW0A9394K225000B
0.47	26.5	17	8.5	22.5	0.8	JFW0A9474K225000B
0.47	31.5	19.5	10.8	27.5	0.8	JFW0A9474K275000B
0.56	31.5	19.5	10.8	27.5	0.8	JFW0A9564K275000B
0.68	31.5	19.5	10.8	27.5	0.8	JFW0A9684K275000B
0.82	31.5	19.5	10.8	27.5	0.8	JFW0A9824K275000B

\*Please contact us for special item or size not listed .

Please visit our website to get more update data, those data & specification are subject to change without notice.

## X2 Metallized Polypropylene Film Capacitor – JFW

Interference Suppression Capacitors (Class X2, 310VAC)

Dimensions Table for 310V AC:

(Unit: mm)

A type						Part# Bulk Package (Loose in Standard leads 20mm Min)
CAP	L±1.0	H±1.0	T±1.0	P±1.0	d Ø±0.05	
1	31.5	19.5	10.8	27.5	0.8	JFW0A9105K275000B
1.2	31.5	21.6	13	27.5	0.8	JFW0A9125K275000B
1.5	31.5	21.6	13	27.5	0.8	JFW0A9155K275000B
1.8	31	25	14	27.5	0.8	JFW0A9185K275000B
2.2	30	25	14	27.5	0.8	JFW0A9225K275000B
B type						Part# Bulk Package (Loose in Standard leads 20mm Min)
CAP	L±1.0	H±1.0	T±1.0	P±1.0	d Ø±0.05	
0.01	13	11	5	10	0.6	JFW0A9103K100000B
0.012	13	11	5	10	0.6	JFW0A9123K100000B
0.015	13	11	5	10	0.6	JFW0A9153K100000B
0.018	13	11	5	10	0.6	JFW0A9183K100000B
0.022	13	11	5	10	0.6	JFW0A9223K100000B
0.027	13	11	5	10	0.6	JFW0A9273K100000B
0.033	13	11	5	10	0.6	JFW0A9333K100000B
0.039	13	11	5	10	0.6	JFW0A9393K100000B
0.047	13	11	5	10	0.6	JFW0A9473K100000B
0.056	13	12	6	10	0.6	JFW0A9563K100000B
0.068	13	12	6	10	0.6	JFW0A9683K100000B
0.082	13	12	6	10	0.6	JFW0A9823K100000B
0.1	13	12	6	10	0.6	JFW0A9104K100000B
0.15	18	12	6	15	0.8	JFW0A9154K150000B
0.18	18	13.5	7.5	15	0.8	JFW0A9184K150000B
0.22	18	12	6	15	0.8	JFW0A9224K150000B
0.27	18	14.5	8.5	15	0.8	JFW0A9274K150000B
0.33	18	14.5	8.5	15	0.8	JFW0A9334K150000B
0.39	18	19	11	15	0.8	JFW0A9394K150000B
0.47	18	15.5	9.5	15	0.8	JFW0A9474K150000B
0.56	26.5	19	10	22.5	0.8	JFW0A9564K225000B
0.68	26.5	19	10	22.5	0.8	JFW0A9684K225000B
0.82	26	21.5	12	22.5	0.8	JFW0A9824K225000B
1	26	21.5	12	22.5	0.8	JFW0A9105K225000B

\*Please contact us for special item or size not listed.

Please visit our website to get more update data, those data & specification are subject to change without notice.